

Dry Compressing Vacuum Pumps

DIVAC

Diaphragm Vacuum Pumps

SCROLLVAC

Scroll Vacuum Pumps

ECODRY plus

Multi-Stage Roots Vacuum Pumps

LEYVAC / DRYVAC / SCREWLINE / VARODRY

Screw Vacuum Pumps

CLAWVAC

Claw Vacuum and Overpressure Pumps

220.00.02

Excerpt from the Leybold Full Line Catalog (Edition 08/2020)

Catalog Part Dry Compressing Vacuum Pumps

Contents

Dry Compressing Vacuum Pumps

Global Versions

Diaphragm Vacuum Pumps **DIVAC** 4

General

DIVAC Program Overview 4

The customized Diaphragm Pump and the Accessories recommended for your Applications 5

Modular Diaphragm Pump System for the Chemical Laboratory 5

Products

Diaphragm Vacuum Pumps for the Chemical Laboratory 6

Dual-Stage Diaphragm Vacuum Pumps

DIVAC 0.6 L, 1.2 L, 2.2 L 6

Three-Stage Diaphragm Vacuum Pumps

DIVAC 1.4 HV3C 8

Dry Compressing Backing Pumps for Turbomolecular Pumps 10

DIVAC 0.8 T and 0.8 LT 12

DIVAC 1.4 HV3 and 3.8 HV3. 14

DIVAC 4.8 VT 16

Scroll Vacuum Pumps **SCROLLVAC** 18

Products

Oil-free Scroll Vacuum Pumps SCROLLVAC 7 plus to 18 plus 18

Multi-Stage Roots Vacuum Pumps **ECODRY plus**. 22

General

Applications for ECODRY plus Pumps 22

Products

ECODRY 40 plus, ECODRY 65 plus 23

Screw Vacuum Pumps LEYVAC	27
General	
Applications for LEYVAC Pumps	27
Products	
LEYVAC LV 80 and LV 140.	28
Screw Vacuum Pumps DRYVAC	32
General	
Applications for DRYVAC Pumps	32
Oil for DRYVAC pumps, for different pump types	32
Oil for DRYVAC pumps, for different fields of application	33
Products	
DRYVAC DV 450 to DV 1200 -i	34
Screw Vacuum Pumps SCREWLINE	47
General	
Applications for SCREWLINE Pumps	47
Products	
SCREWLINE SP 250 to SP 630 (F)	48
Screw Vacuum Pumps VARODRY	58
Products	
VARODRY VD 65 to VD 200	58
Dry Claw Pumps CLAWVAC	62
Products	
Vacuum Pumps CLAWVAC CP 65 to CP 300	62
Overpressure Pumps CLAWVAC OP 150 to OP 300	62

DIVAC Program Overview

This range of vacuum pumps was developed especially for laboratory operations and as backing pumps for (wide range) turbomolecular pumps. It satisfies the highest expectations in terms of precision, reliability and ease of use.

The DIVAC line of vacuum pumps is the logical continuation of diaphragm pump technology which has proven its quality in decades of service.

Laboratory Pumps

Through the laboratory pumps and the three different pumping speeds available for the same base pressure and through the modular design, the optimum pump system can be implemented for every application.

DIVAC L diaphragm pumps are suited for almost all requirements in the chemistry lab. They are basically corrosion and solvent resistant since their parts in contact with the pumped medium are made of PTFE (Teflon), FFPM (Kalrez) and PVDF (Solef).

Backing Pumps

The DIVAC T range of diaphragm pumps comprises backing pumps which are used in all applications requiring an especially low base pressure while having to maintain an oil-free vacuum.

The DIVAC T pumps have been specially developed as backing pumps for wide range high vacuum turbomolecular pumps. They meet the requirements for a dry vacuum and a long service life.

DIVAC T pumps may be used both free-standing and integrated in applications or certain devices, and for this reason they are used in the areas of mass spectrometry, analytical and in general applications.

Application Examples

Laboratory Pumps

- Vacuum filtration
- Vacuum distillation
- Vacuum drying
- To extract and transfer gases
- On rotary evaporators
- Gel drying

Backing Pumps

- Backing pump for wide range turbomolecular pumps
- Mass spectrometry
- Medicine technology
- Analytical technology
- General rough and medium vacuum applications

The customized Diaphragm Pump and the Accessories recommended for your Applications

Modular diaphragm pump system	DIVAC 0.6 L	DIVAC 1.2 L	DIVAC 2.2 L	DIVAC 1.4 HV3C	DIVAC 0.8 T	DIVAC 0.8 TL	DIVAC 1.4 HV3	DIVAC 3.8 HV3	DIVAC 4.8 VT
Applications									
Evacuating small devices (e.g. desiccator)	■	■	■	■					
Sublimation	■	■	■	■					
Analysis preparation	■	■	■	■					
Filtration	■	■	■	■					
Distillation	■	■	■	■					
Drying in the drying cabinet			■	■					
Drying cabinets (2 cabinets with 1 pump)			■	■					
Rotary evaporator		■	■	■					
Backing pumps for wide range turbomolecular pumps				■	■	■	■	■	■
Mass spectrometry				■	■	■	■	■	■
Medical technology				■	■	■	■	■	■
Analytical technology				■	■	■	■	■	■
General applications in the rough and medium vacuum range	■	■	■	■	■	■	■	■	■

Modular Diaphragm Pump System for the Chemical Laboratory

Advantages to the User

- Low base vacuum of 8 mbar (6 Torr) for two-stage and 2 mbar (1.5 Torr) for three-stage DIVAC
- All parts of the pump head in contact with the gas are resistant against aggressive media through the use of PTFE (Teflon), FFPM (Kalrez) and PVDF (Solef)
- Dry compressing, oil-free
- Water vapor tolerance
- Low maintenance costs and long service intervals through the use of high-quality components which are well-proven
- Simple maintenance by staff of the customer
- Low noise operation
- Portable, compact, small footprint
- Can be operated in any orientation
- Overheat protection for the vacuum pump by means of a thermal fuse
- Available in four pumping speed categories

Products

Diaphragm Vacuum Pumps for the Chemical Laboratory

Dual-Stage Diaphragm Vacuum Pumps

DIVAC 0.6 L, 1.2 L, 2.2 L

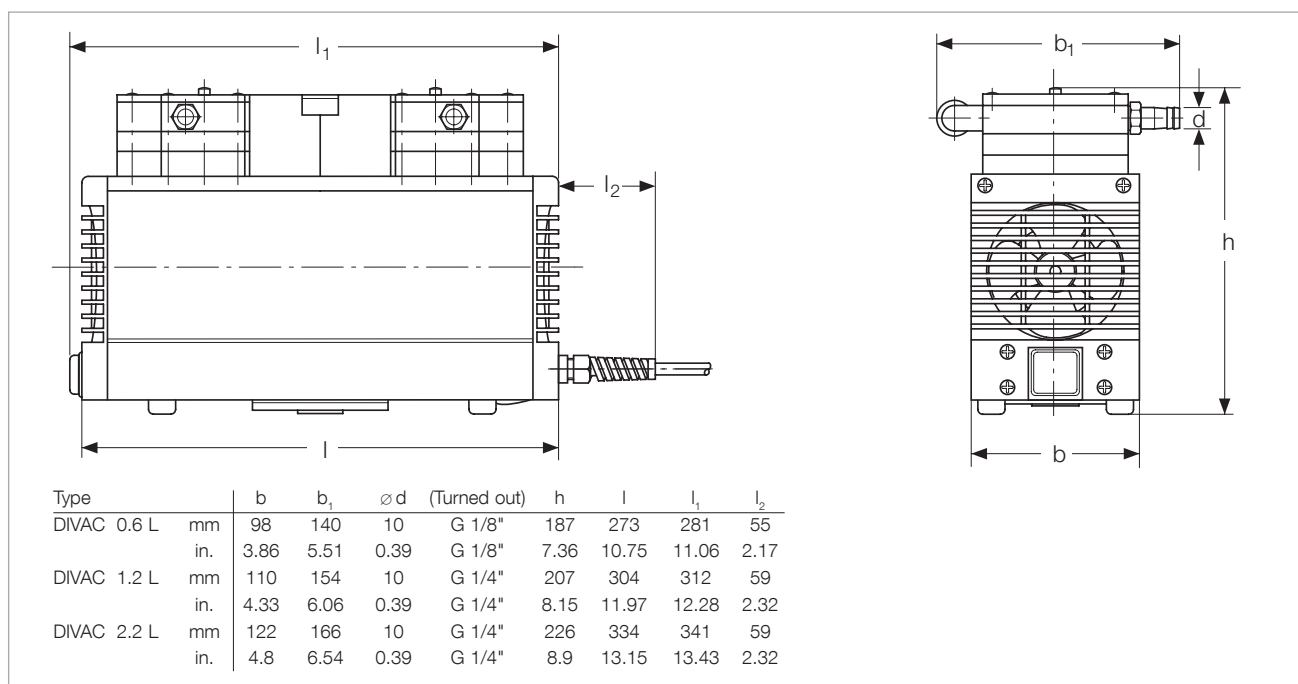


Typical Applications

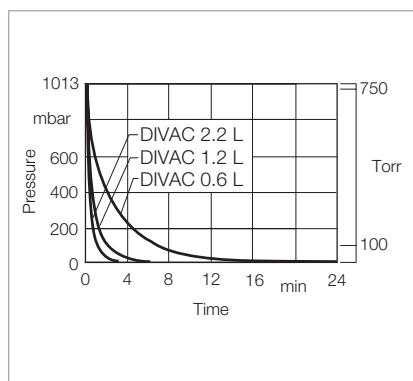
Vacuum generation for

- Rotary evaporators
- Drying chambers
- Filtration units
- Distillation configurations
- Gel dryers

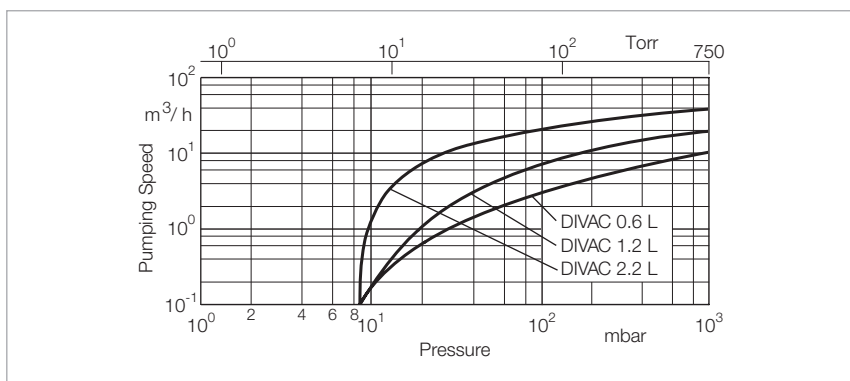
Dual-stage diaphragm vacuum pumps DIVAC 0.6 L, 1.2 L, 2.2 L



Dimensional drawing for the DIVAC 0.6 L, 1.2 L, 2.2 L



Curves of pump-down time of a 10 l vessel



Curves of pumping capacity

Technical Data
DIVAC

		0.6 L	1.2 L	2.2 L
Max. pumping speed (atm.)	m ³ /h ¹ (cfm)	0.6 (0.4)	1.2 (0.7)	2.0 (1.2)
Ultimate pressure	mbar (Torr)	≤ 8 (≤ 6)		
Max. exhaust back pressure (absolute)	mbar (Torr)	2000 (1500)		
Pump heads		2		
Connection				
Inlet (suction side)	DN	Hose nozzle ID 10	Hose nozzle ID 10	Hose nozzle ID 10
Exhaust (delivery side)	DN	Hose nozzle ID 10	Hose nozzle ID 10	Hose nozzle ID 10
Thread (suction and delivery side)	G	G 1/8"	G 1/4"	G 1/4"
Noise level acc. to DIN 45 635 Part 13, approx.	dB(A)	47	50	52
Permissible gas admission temperature, max.	°C (°F)	+5 to +40 (+41 to +104)		
Permissible ambient temperature, max.	°C (°F)	+5 to +40 (+41 to +104)		
Voltage / nominal frequency (1-ph. motor)				
Schuko plug	V / Hz	230 ± 10% / 50		
NEMA plug	V / Hz	115 ± 10% / 60		
NEMA plug	V / Hz	100 ± 10% / 50/60		
Protective class	IP	44		
Motor power ¹⁾	W	90	120	245
Current consumption ¹⁾	A	0,6	0,7	1,8
Motor speed				
50 Hz	min ⁻¹	1500		
60 Hz	min ⁻¹	1800		
Dimensions (W ¹⁾ x H ¹⁾ x D), approx	mm (in.)	281 x 140 x 187 (11.06 x 5.51 x 7.36)	312 x 154 x 207 (12.28 x 6.06 x 8.15)	341 x 166 x 226 (13.43 x 6.54 x 8.9)
Weight, approx.	kg (lbs)	6.9 (15.2)	9.3 (20.5)	12.6 (27.8)
Material				
Pump head		PTFE (Teflon)		
Structured diaphragm		PTFE coated		
Valves		FFPM (Kalrez)		
Nozzles		PVDF (Solef)		

Ordering Information
DIVAC

	0.6 L	1.2 L	2.2 L
	Part No.	Part No.	Part No.
Diaphragm vacuum pump 230 V, 50 Hz, with 2.3 m (8 ft) power cord and Schuko plug	135 00	135 06	135 12
Diaphragm vacuum pump 100 V, 50/60 Hz, with 2.3 m (8 ft) power cord and NEMA plug	135 02	135 08	135 14
Diaphragm vacuum pump 115 V, 60 Hz, with 2.3 m (8 ft) power cord and NEMA plug	-	-	135 15
Spare parts kit consisting of 2 diaphragms, 4 gasket rings, 4 valve plates	EK135 23	EK135 24	EK135 25
Hose nozzle kit consisting of 2 hose nipples, piping	-	200 650 06	200 650 07

¹⁾ For 230 V, 50 Hz version

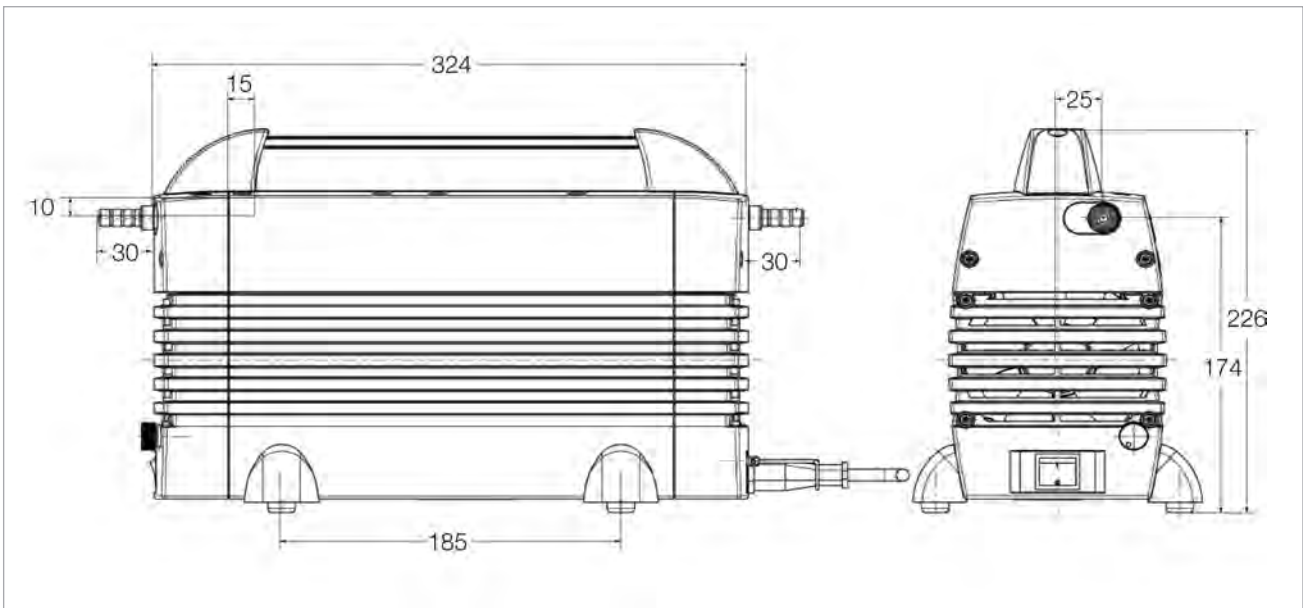
Three-Stage Diaphragm Vacuum Pumps

DIVAC 1.4 HV3C

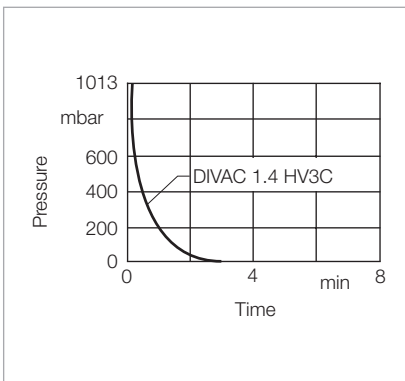


Three-stage diaphragm vacuum pump DIVAC 1.4 HV3C

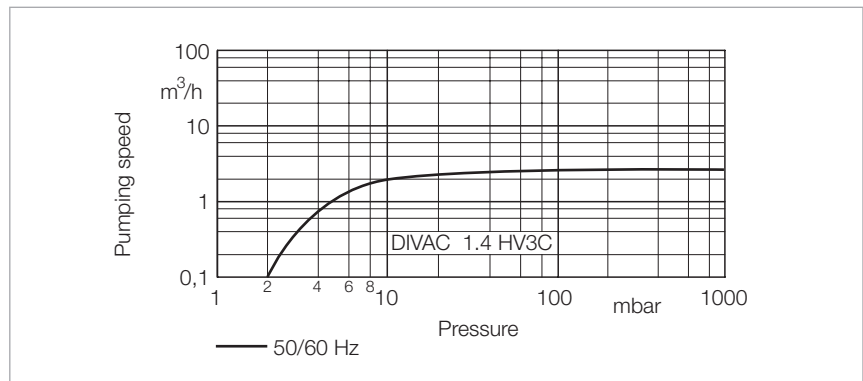
The DIVAC 1.4 HV3C is a three-stage diaphragm pump capable of resisting chemicals and offering an improved pumping performance. Its speed is infinitely variable from 700 to 1600 rpm so that the pumping speed of the pump can be easily adapted to differing requirements. The built-in textured diaphragm is PTFE coated. The valves are made of FPM thereby ensuring excellent resistance also in connection with aggressive gases. Owing to the three-stage design, pressures of 2 mbar can be attained very easily.



Dimensional drawing for the DIVAC 1.4 HV3C



Curves of pump-down time of a 10 l vessel



Curves of pumping capacity

Technical Data
DIVAC 1.4 HV3C

Max. pumping speed	m ³ /h ¹ (cfm)	1.3 (0.77)
Ultimate pressure	mbar (Torr)	≤ 2.0 (≤ 1.5)
Max. exhaust back pressure (absolute)	mbar (Torr)	1500 (1125)
Pump heads		3
Connection		
Inlet (suction side)	DN	Hose nozzle ID 10
Exhaust (delivery side)	DN	Hose nozzle ID 10
Thread (suction and delivery side)	G	G 1/8"
Noise level acc. to DIN 45 635 Part 13, approx.	dB(A)	48
Permissible gas admission temperature, max.	°C (°F)	+5 to +40 (+41 to +104)
Permissible ambient temperature, max.	°C (°F)	+5 to +40 (+41 to +104)
Voltage / nominal frequency	V / Hz	90 – 230 / 50 – 60
Protective class	IP	20
Motor power ¹⁾	W	135
at ultimate pressure	W	35
Current consumption ¹⁾	A	1.3
Motor speed	min ⁻¹	700 to 1600
Dimensions (W ¹⁾ x H ¹⁾ x D), approx	mm (in.)	324 x 158 x 226 (12.76 x 6.22 x 8.90)
Weight, approx.	kg (lbs)	8.6 (18.99)
Material		
Pump head		PPS
Structured diaphragm		PTFE coated
Valves		FFPM
Nozzles		PVDF

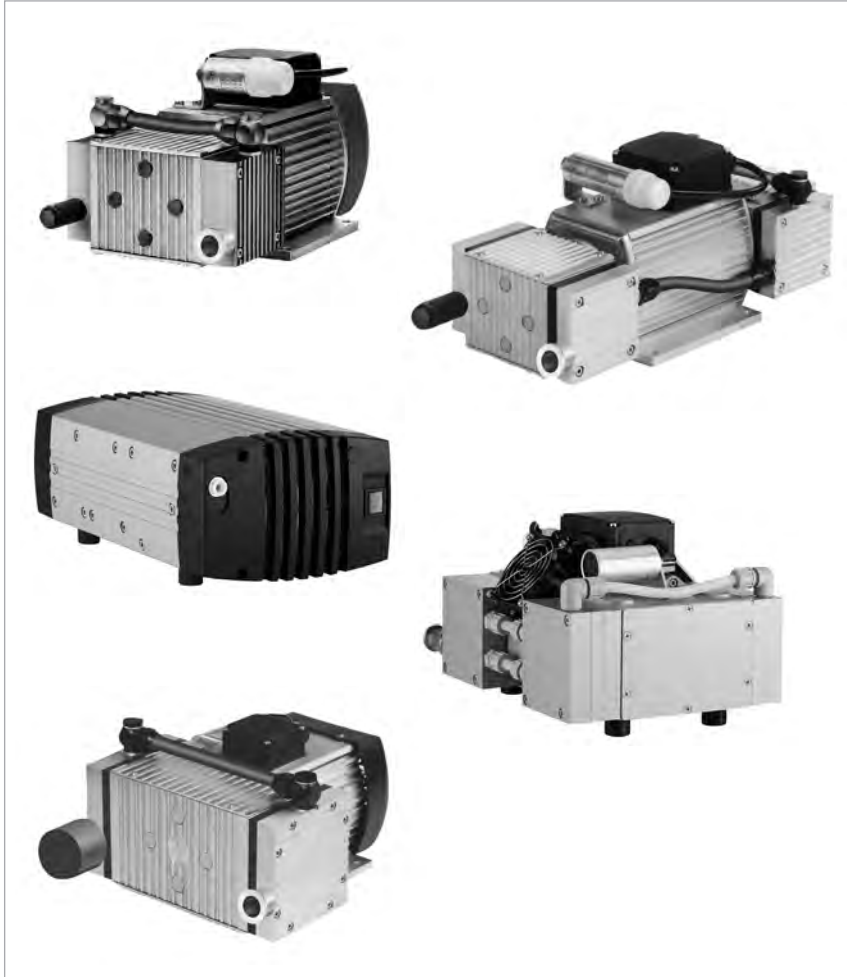
Ordering Information
DIVAC 1.4 HV3C

	Part No.
Diaphragm vacuum pump 90 – 230 V, 50 – 60 Hz, with 2.3 m (8 ft) power cord and Schuko plug	135 20 V
Accessories Exhaust silencer 1.4 with connection G 1/8"	127 90 A

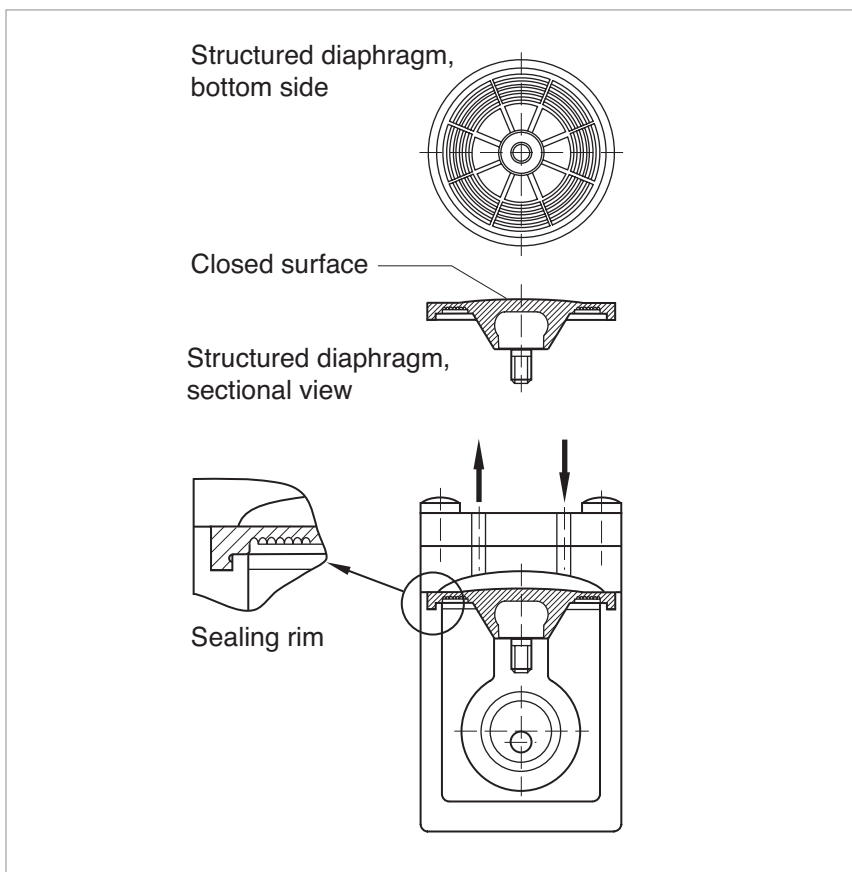
¹⁾ For 230 V, 50 Hz version

Dry Compressing Backing Pumps for Turbomolecular Pumps

DIVAC 0.8 T to 4.8 VT



Our dry compressing backing pumps from the DIVAC T series are now supplemented by the three-stage DIVAC 1.4 HV3 and the DIVAC 3.8 HV3. Like the proven DIVAC T series, these new models also ensure a forevacuum free of hydrocarbons. Owing to their three-stage design, they provide especially within the lower pressure ranges a higher pumping speed and are therefore even better suited as backing pumps for turbomolecular pumps. But they are also used as backing pumps operating in the rough and medium vacuum range to pump clean media.



Diaphragm pump with structured diaphragm

The structured diaphragm with its sealed surface provides the basis for a long service life and a low base pressure.

Advantages to the User

- Dry compressing, free of oil and hydro-carbons
- Matched to the turbomolecular pumps from Leybold (SL 80 to TURBOVAC 450i)
- Low ultimate pressure
- ISO-KF flange at the intake port
- Fully equipped with cable, switch (ON/OFF) and plug
- Better performance and smaller size through the use of structured diaphragms
- Low vibration levels through dynamic mass balancing (in VT pumps)
- Lower maintenance costs and long maintenance intervals through the use of high-quality and well-proven components
- Simple maintenance
- Favourable price-to-performance ratio
- Can be operated in any position

Typical Applications

- Backing pump for wide pressure range turbomolecular pumps
- Mass spectrometers
- Medical equipment
- Analyzes
- For laboratory applications also with corrosive media
- General use for rough and fine vacuum applications

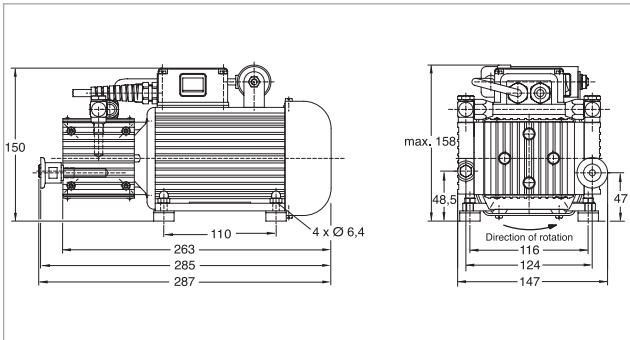
DIVAC 0.8 T and 0.8 LT



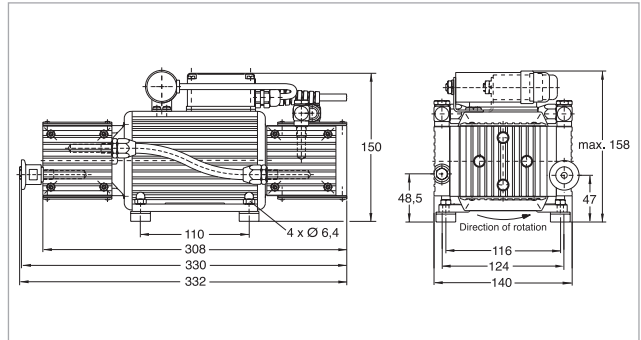
DIVAC 0.8 T



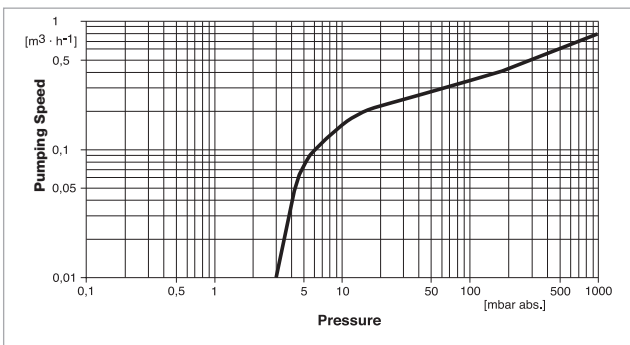
DIVAC 0.8 LT



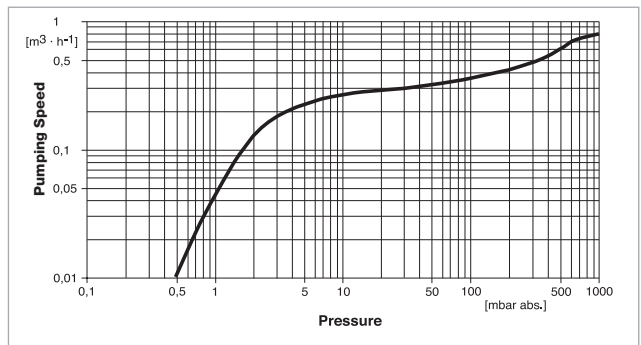
Dimensional drawing for the DIVAC 0.8 T



Dimensional drawing for the DIVAC 0.8 LT



Pumping speed curve of the DIVAC 0.8 T



Pumping speed curve of the DIVAC 0.8 LT

Technical Data
DIVAC

		0.8 T	0.8 LT
Max. pumping speed (atm.)	m ³ /h ¹ (cfm)	0.77 (0.45)	
Ultimate pressure	mbar (Torr)	≤ 3.0 (≤ 2.25)	≤ 0.5 (≤ 0.38)
Max. exhaust back pressure (absolute)	mbar (Torr)	2000 (1500)	
Pump heads		2	4
Connection		16 KF Silencer G 1/8"	
Inlet (suction side)	DN		
Exhaust (delivery side)	DN		
Thread (suction and delivery side)	G		
Noise level acc. to DIN 45 635 Part 13, approx.	dB(A)	49	53
Permissible gas admission temperature, max.	°C (°F)	+5 to +40 (+41 to +104)	
Permissible ambient temperature, max.	°C (°F)	+5 to +40 (+41 to +104)	
Voltage / nominal frequency (1-ph. motor)			
Schuko plug	V / Hz	198 – 264 / 50/60	230 / 50 ± 10%
NEMA plug	V / Hz	90 – 127 / 50/60	115 / 60 ± 10%
Protective class	IP	44	
Motor power ¹⁾	W	50	80
Current consumption ¹⁾	A	0.4	0.5
Nominal speed, approx. (50/60 Hz)	min ⁻¹	1500/1800	
Dimensions (W ¹⁾ x H ¹⁾ x D), approx	mm (in.)	285 x 150 x 150 (11.22 x 5.9 x 5.9)	332 x 150 x 150 (13.07 x 5.9 x 5.9)
Weight, approx.	kg (lbs)	5.9 (13.02)	7.5 (16.56)
Material		Aluminum Neoprene EPDM	
Pump head			
Diaphragm			
Valves			

Ordering Information
DIVAC

	0.8 T	0.8 LT
	Part No.	Part No.
Diaphragm vacuum backing pumps for turbomolecular pumps including 1 m (3.5 ft) long mains cord, country-specific plug, silencer, rubber feet, as well as ON/OFF switch 198 – 264 V / 50/60 Hz 230 V ± 10% / 50 Hz	127 80 -	- 127 83
Spare parts kit consisting of 2 diaphragms, 4 valves, 4 valve gaskets, 4 piping gaskets	EK 127 95	EK 127 95 (2x)
Exhaust silencer	127 98	127 98

T = For use in connection with Turbomolecular pumps

L = Very low ultimate pressure (Low pressure)

V = Low vibration levels (Low Vibration)

DIVAC 1.4 HV3 and 3.8 HV3

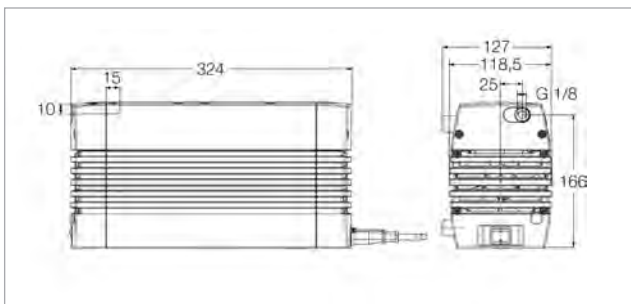


DIVAC 1.4 HV3

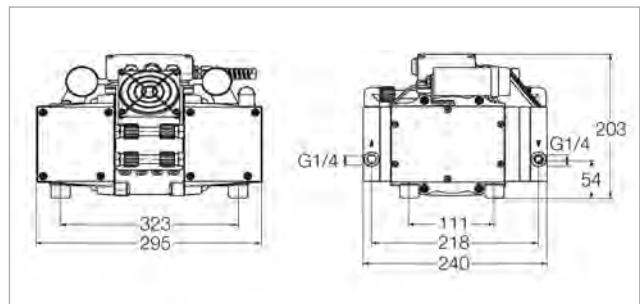


DIVAC 3.8 HV3

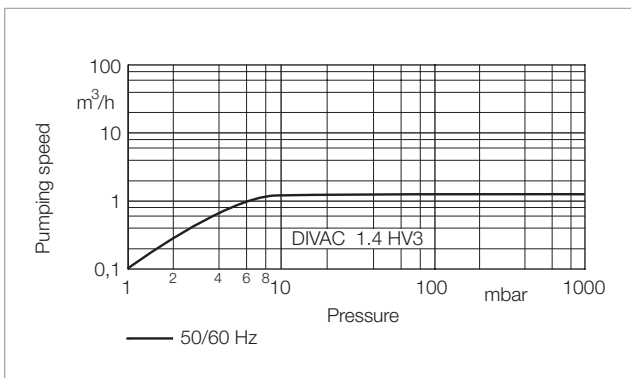
The three-stage DIVAC 1.4 HV3 and the DIVAC 3.8 HV3 provide especially in the lower pressure range a higher pumping speed compared to conventional diaphragm pumps. At the same time they are capable of attaining ultimate pressures below 2 mbar (1.5 Torr) and are thus very well suited as backing pumps for turbomolecular pumps. Owing to their compact design they are also suited for installation within pump systems.



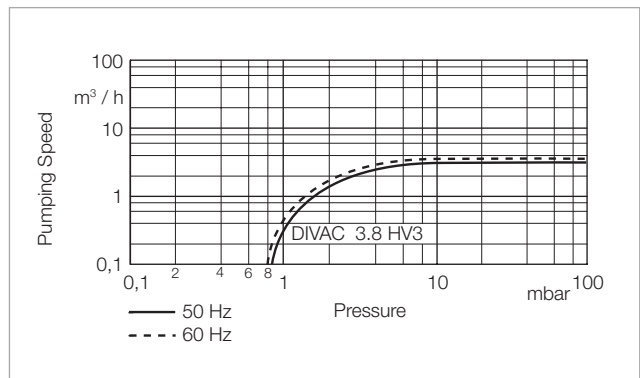
Dimensional drawing for the DIVAC 1.4 HV3



Dimensional drawing for the DIVAC 3.8 HV3



Pumping speed curve of the DIVAC 1.4 HV3



Pumping speed curve of the DIVAC 3.8 HV3

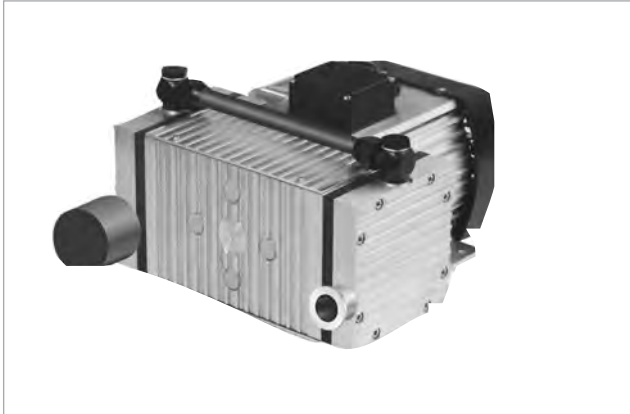
Technical Data
DIVAC

		1.4 HV3	3.8 HV3
Max. pumping speed			
50 Hz	m ³ /h ¹ (cfm)	1.3 (0.77)	3.4 (2.00)
60 Hz	m ³ /h ¹ (cfm)	–	3.8 (2.24)
Ultimate pressure	mbar (Torr)	≤ 1.5 (≤ 1.13)	≤ 1.0 (≤ 0.75)
Max. exhaust back pressure (absolute)	mbar (Torr)	1500 (1125)	
Pump heads		3	
Connection			
Inlet (suction side)	DN	Hose nozzle ID 9	Hose nozzle ID 9
Exhaust (delivery side)	DN	Hose nozzle ID 9	Hose nozzle ID 9
Thread (suction and delivery side)	G	G 1/8"	G 1/4"
Noise level acc. to DIN 45 635 Part 13, approx.	dB(A)	48	54
Permissible gas admission temperature, max.	°C (°F)	+5 to +40 (+41 to +104)	
Permissible ambient temperature, max.	°C (°F)	+5 to +40 (+41 to +104)	
Voltage / nominal frequency (1-ph. motor)			
Schuko plug	V / Hz	90 – 230 / 50-60	90 – 230 / 50-60
NEMA plug	V / Hz	–	115 / 50-60
Protective class	IP	20	
Motor power ¹⁾	W	120	250
at ultimate pressure	W	35	190
Current consumption ¹⁾	A	1.3	1.7
Nominal speed, approx. (50/60 Hz)	min ⁻¹	1500	1500/1800
Dimensions (W ¹⁾ x H ¹⁾ x D), approx	mm (in.)	324 x 158 x 226 (12.76 x 6.22 x 8.90)	295 x 240 x 203 (11.61 x 9.45 x 7.99)
Weight, approx.	kg (lbs)	10.5 (23.18)	18.9 (41.72)
Material		Aluminum	
Pump head		EPDM	
Structured diaphragm		EPDM	
Valves		PA	
Nozzles			

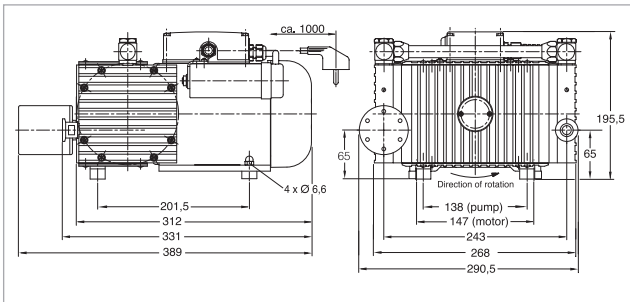
Ordering Information
DIVAC

	1.4 HV3	3.8 HV3
	Part No.	Part No.
Diaphragm vacuum backing pumps for turbomolecular pumps including 1 m (3.5 ft) long mains cord, country-specific plug, silencer, rubber feet, as well as ON/OFF switch		
90 – 230 V / 50 – 60 Hz	127 90 V	–
230 V / 50 – 60 Hz	–	127 95 V
115 V / 50 – 60 Hz	–	127 96 V
Exhaust silencer		
1.4 with connection G 1/8"	127 90 A	–
3.8 with connection G 1/4"	–	127 95 A
Spare parts kit	EK057456	EK12768

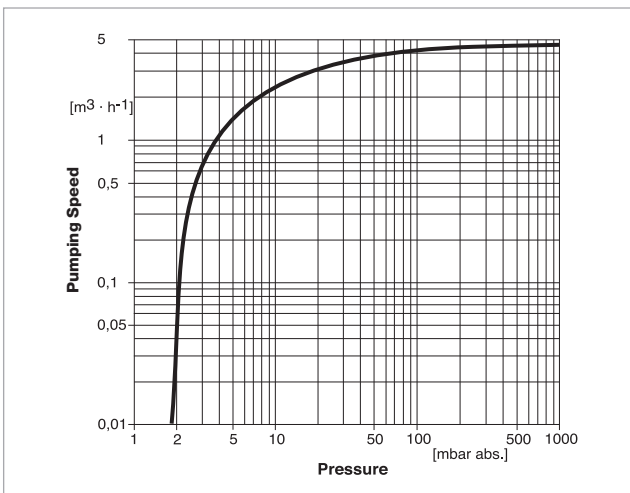
DIVAC 4.8 VT



DIVAC 4.8 VT



Dimensional drawing for the DIVAC 4.8 VT



Pumping speed curve of the DIVAC 4.8 VT

Technical Data
DIVAC 1.4 HV3C

Max. pumping speed (atm.)	m ³ /h ¹ (cfm)	4.8 (2.83)
Ultimate pressure	mbar (Torr)	≤ 2.0 (≤ 1.5)
Max. exhaust back pressure (absolute)	mbar (Torr)	2000 (1500)
Pump heads		2
Connection		
Inlet (suction side)	DN	16 KF
Exhaust (delivery side)	DN	Silencer
Thread (suction and delivery side)	G	G 3/8"
Noise level acc. to DIN 45 635 Part 13, approx.	dB(A)	55
Permissible gas admission temperature, max.	°C (°F)	+5 to +40 (+41 to +104)
Permissible ambient temperature, max.	°C (°F)	+5 to +40 (+41 to +104)
Voltage / nominal frequency (1-ph. motor)		
Schuko plug	V / Hz	230 / 50 ± 10%
NEMA plug	V / Hz	115 / 60 ± 10%
Protective class	IP	54
Motor power ¹⁾	W	350
Current consumption ¹⁾	A	2.6
Nominal speed, approx. (50 Hz)	min ⁻¹	1500
Dimensions (W ¹⁾ x H ¹⁾ x D), approx	mm (in.)	324 x 273 x 220 (12.76 x 10.75 x 8.66)
Weight, approx.	kg (lbs)	18.0 (39.74)
Material		
Pump head		Aluminum
Diaphragm		EPDM
Valves		Viton

Ordering Information
DIVAC 1.4 HV3C

	Part No.
Diaphragm vacuum backing pumps for turbomolecular pumps including 1 m (3.5 ft) long mains cord, country-specific plug, silencer, rubber feet, as well as ON/OFF switch 230 V ± 10% / 50 Hz	127 92
Spare parts kit consisting of 2 diaphragms, 4 valves, 4 valve gaskets, 4 piping gaskets	EK 127 97
Exhaust silencer	127 94

T = For use in connection with Turbomolecular pumps

L = Very low ultimate pressure (Low pressure)

V = Low vibration levels (Low Vibration)

Products

Oil-free Scroll Vacuum Pumps SCROLLVAC 7 plus to 18 plus



Scroll vacuum pump SCROLLVAC 15 plus

Advantage for the User

- Flexibility for customer requirements
- Four different pumping speeds available as required for the application
- Single- and Three-phase configurations available
- High robustness for each application
- ATEX certification (**Ex II 3 G c IIB T4**)
- Variants for aggressive applications available (SCROLLVAC C plus)
- High water vapour capacity
- Electronic-free three-phase variant for reduced radiation sensitivity
- Better work environment and low environmental impact
- quiet operation
- Simple operation
- intelligent and easy to use controls
- No contamination and no oil to dispose of
- hermetically sealed for a lubricant-free vacuum environment
- Low cost of ownership
- long service interval and low power consumption from a single sided scroll arrangement
- Maximised up-time
- long service intervals

Typical Applications

- General clean pumping applications
- Scanning Electron Microscopes - SEM
- Beam lines and high energy physics
- Research and development
- Backing turbomolecular pumps
- Centrifuges, ultra-high speed
- Chamber evacuation
- Chemical applications including gel dryers and solvent recovery

In 1905 the principle of the scroll compressor was developed by the Frenchman Leon Creux.

SCROLLVAC plus is the next generation in completely oil free, dry scroll pumps by offering increased pumping speeds, combined with lower ultimate pressures, lower power consumption and lower noise. Gas ballast allows for pumping of condensable vapours including, water, solvents, dilute acids and bases. SCROLLVAC plus pumps also feature the latest in tip seal technology giving significantly longer life between tip seal changes. Integrated inverter drive with auto sensing voltage input delivers optimised pumping performance globally.

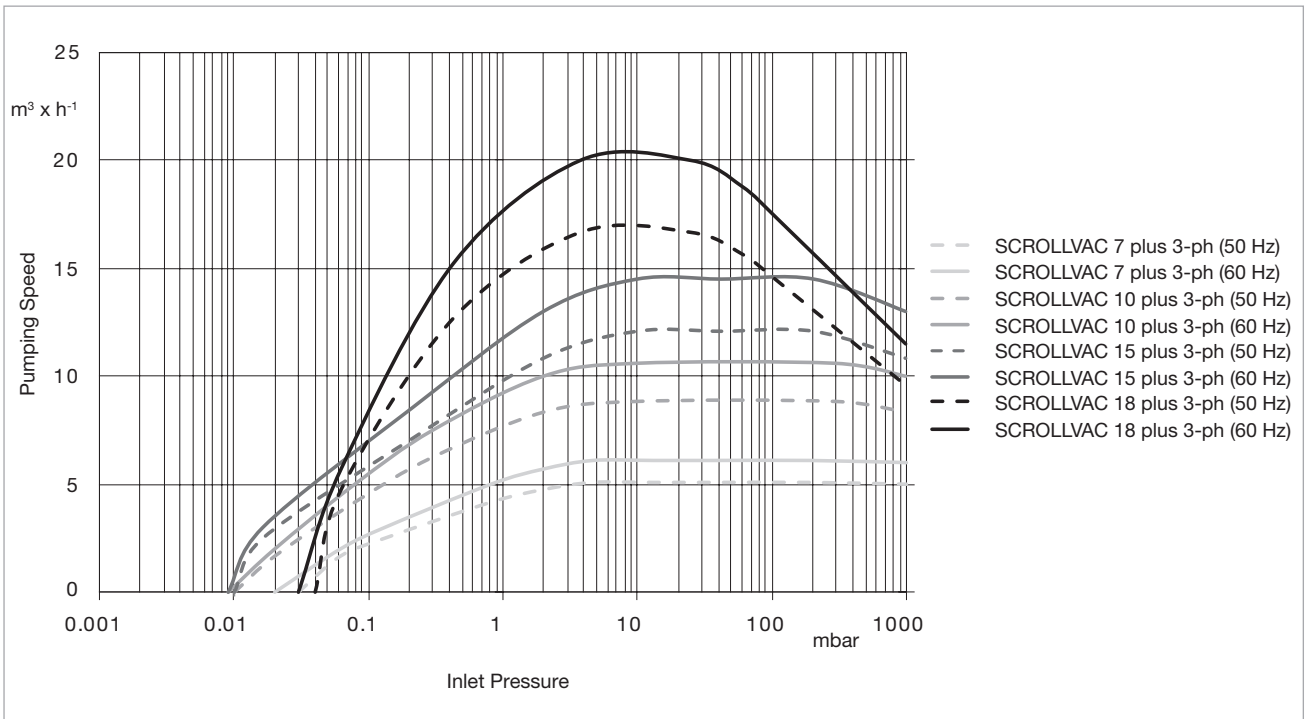
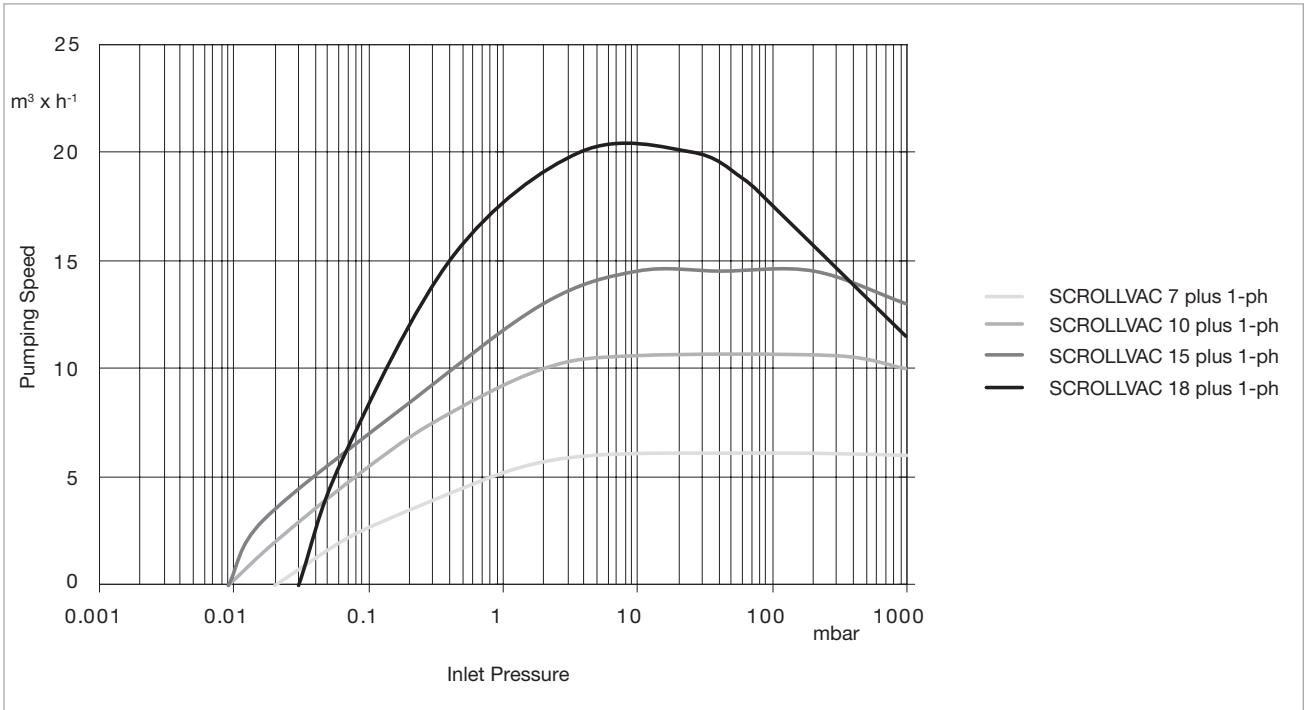
SCROLLVAC plus pumps are designed to be completely field serviceable.

Service

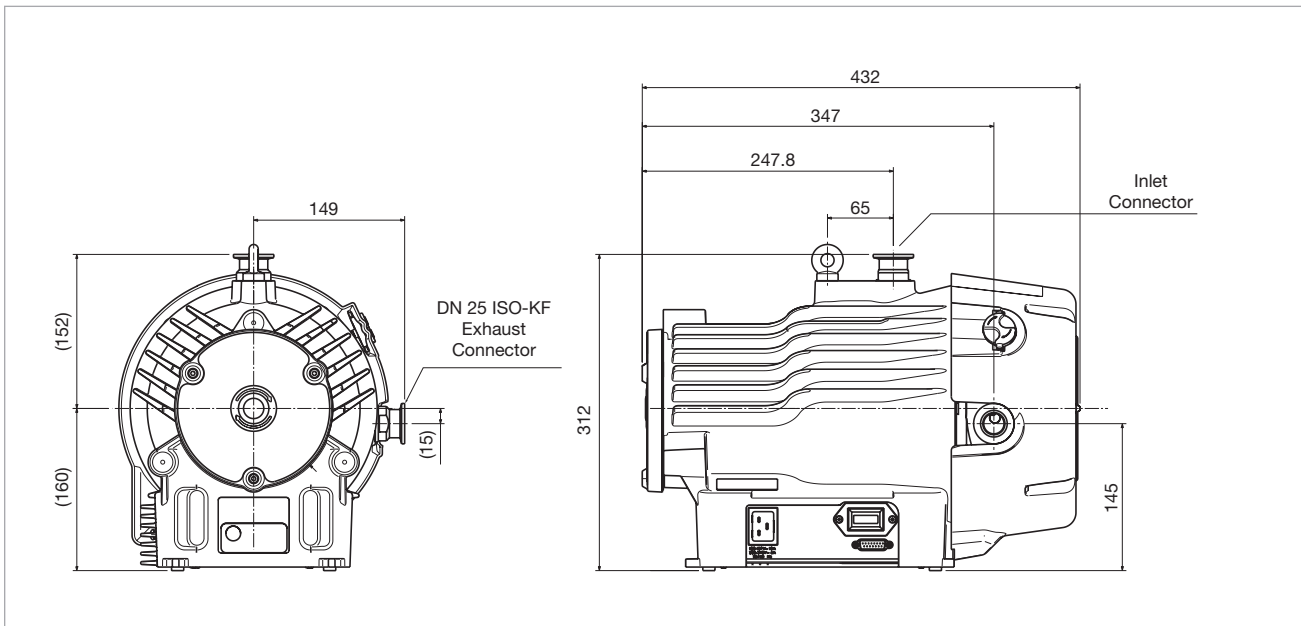
Our wide portfolio of services is designed with you in mind: to help keep your process and equipment running in the most economical and environmentally efficient manner.

Service include:

- Overhaul and repair using genuine Leybold OEM parts
- OEM spares and kits available for cost-effective expansion and backups
- Remanufactured products available for cost-effective expansions and backups
- Global network of expert field service engineers available to respond quickly to unexpected equipment failures



Pumping speed curves for the SCROLLVAC plus – pumps



Dimensional drawing for the scroll vacuum pumps SCROLLVAC 7 plus to SCROLLVAC 18 plus (dimensions in mm)

Technical Data

SCROLLVAC plus

		7	10	15	18
Rotation speed	rpm	1740			
Max. pumping speed	m ³ /h	6.1	10.6	14.5	20.0
Ultimate vacuum (total pressure)	mbar (Torr)	2×10^{-2} (1.5×10^{-2})	9×10^{-3} (6.5×10^{-3})	9×10^{-3} (6.5×10^{-3})	3×10^{-2} (2.25×10^{-3})
Maximum water vapour pumping rate (with gas ballast)	g/h	100	140	280	220
Maximum continuous inlet pressure	mbar	200			
Mains voltage 1-ph	V	100 – 127, 200 – 240 ($\pm 10\%$)			
Mains voltage 3-ph	V	200 / 380 – 415, 200 – 230 / 460			
Frequency	Hz	50/60			
Motor power (at ultimate pressure)	W	260	280	300	260
Power connector 1-ph		IEC EN60320 C19			
Weight	kg (lb)	26 (58)	25 (56)	26 (58)	25 (56)
Inlet flange		DN 25 ISO-KF			
Exhaust flange		DN 25 ISO-KF			
Noise level	dB(A)	55			
Leak tightness (Static)	mbar x l/s	1×10^{-6}			
Operating temperature range	°C (°F)	10 to 40 / 41 to 104			

Ordering Information

SCROLLVAC plus

	7	10	15	18
	Part No.	Part No.	Part No.	Part No.
Oil-free scroll vacuum pump, Single-phase motor *				
Standard (with manual gas ballast)	141007V10	141010V10	141015V10	141018V10
C-Version (for aggressive applications)	-	-	141015V12	141018V12
Oil-free scroll vacuum pump, Three-phase motor *				
Standard (with manual gas ballast)	-	141010V30	141015V30	141018V30
C-Version (for aggressive applications)	-	141010V32	141015V32	141018V32
Accessories Mains cable (required for pump operation)				
Mains cable Europe				
CEE 7/7 (Schuko) – IEC-60320 C19				
Length 2.0 m			161810EU	
Mains cable Great Britain				
BS 1363 – IEC-60320 C19				
Length 2.0 m			161810UK	
Mains cable US				
115 V: NEMA 5-15P – IEC-60320 C19				
Length 3.0 m			141103US	
208/230 V: NEMA 6-15P – IEC-60320 C19				
Length 2.5 m			161810US	
Optional accessories				
Gas ballast adaptor blank (H-conversion KIT)		141100A01		
Gas ballast adaptor for external gas line – no restriction (Quick connect 1/4 inch)		141100A02		
Gas ballast adaptor for external gas line – with fine restriction (Quick connect 1/4 inch)		141100A03		
Chemical resistance conversion kit (C-conversion KIT)	141101A01	141101A01	141101A01	141101A02
Vibration isolators		141102A01		
Silencer		141102A02		
Minor Service Kit				
Standard (with manual gas ballast)	EK117141000	EK117141000	EK117141000	EK117141001
C-Version (for aggressive applications)	EK117141002	EK117141002	EK117141002	EK117141003

* Other pump variants on request

Applications for ECODRY plus Pumps

Pumps	ECODRY 40 plus	ECODRY 65 plus
Application		
Mass spectrometry	■	■
Electron microscopy	■	■
Vacuum drying	■	■
Particle accelerators / Synchrotron	■	■
Spectroscopy	■	■
Regeneration of cryo pumps	■	■
Backing pumps for turbomolecular pumps	■	■
Surface analysis	■	■

Products

ECODRY plus multi-stage Roots vacuum pumps

ECODRY 40 plus, ECODRY 65 plus



The ECODRY plus is a newly developed family of dry-compression multi-stage Roots vacuum pumps, which sets new standards in noise reduction. The pumps have been specially designed for use in quiet and clean environments, such as analysis and research laboratories.

Operating principle

The multi-stage Roots pump is a further development of the tried-and-tested Roots pump principle. Two contactless rotating rotors turn in contrary motion within a single pump housing. The rotors do not come into contact with one another, or with the pump housing. Through their rotation, they convey the gas from the intake flange on the upper side to the outlet aperture on the underside of the suction chamber. In the multi-stage Roots pump ECODRY plus, there are eight pump chambers in succession along the same axis. The outlet apertures are connected to the respective intake aperture of the ensuing chamber via channels in the pump housing. The pump's operating range extends from the medium vacuum range to ambient pressure.

Short channels between the compression stages, combined with a high rotational speed of 12,600 rpm, make a compact construction with simultaneously high suction capacity possible. Lubrication takes place only in the shaft bearing regions. These are separated from the suction chamber by means of a wear-free sealing system, such that no lubricant can find its way into the suction chamber or into the vacuum chamber.

Low-noise operation

During the design phase, particular emphasis was placed on reducing the pumps' noise levels. The rotors' high manufacturing quality guarantees that the pumps will run with a low level of vibration, and consequently with a low level of noise, even at high inlet pressures. Efficient noise insulation is integrated within the pump housing, to shield the user from residual noise. The silencer integrated within the exhaust region further serves to minimize noise, even at high gas flow rates. These measures combine to achieve a noise level of less than 52 dB(A) – quieter than a normal conversation

Clean environment

Thanks to the oil-free suction chamber, no lubricant can enter the vacuum chamber or the area surrounding the pump from the interior of the pump. Furthermore, because the rotors operate contact-free, no abrasion debris are created in the form of particles, which could contaminate the vacuum chamber. In the case of the pump itself, this guarantees long-term stable operation with no deterioration in final pressure or suction capacity.

Ease of commissioning

The ECODRY plus models have a compact housing and are simple to operate. With integrated castors and their low weight, they can be easily rolled out of their packaging and on to their installation location. There is no need for elaborate power cabling, as the pumps can be connected directly to a single-phase electricity supply. The pumps are air-cooled, and therefore require no connection to a water supply for the purposes of cooling.

Maintenance-free operation

ECODRY plus features a friction-free operating principle, so their components are not exposed to wear in any way. The ECODRY plus's shaft bearings are designed for up to five years' operation. Maintenance measures such as replacing seals or changing the oil are not required during that time.

High water vapour tolerance

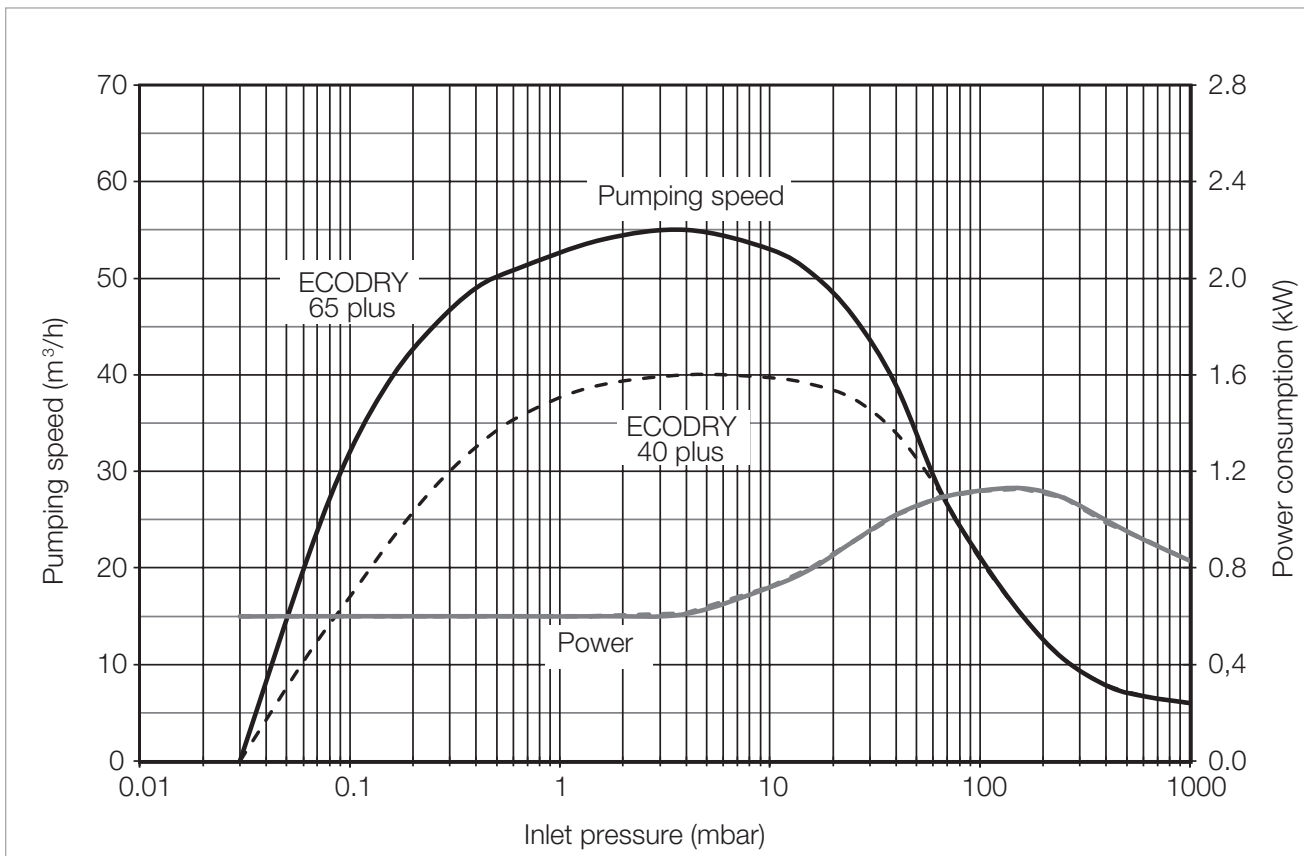
In drying applications, such as cryo-pump regeneration, or when pumping out vacuum chambers with large surface areas, high quantities of water vapour may accrue. Not every pump can handle this without difficulty, as condensation in the pump can lead to corrosion and pump failure. However, with its gas ballast valve open, the ECODRY plus can pump water vapour at rates of up to 500 g/h without internal condensation. Because the manually operated gas ballast inlet has an integrated silencer, the pump is quieter than any of its competitors in these applications also.

Benefits at a glance

- Quietest pump in its class – it won't disturb your work
- Clean vacuum generation with no contamination of workstation or vacuum chamber
- Many years of maintenance-free operation without deterioration of vacuum parameters

Typical applications

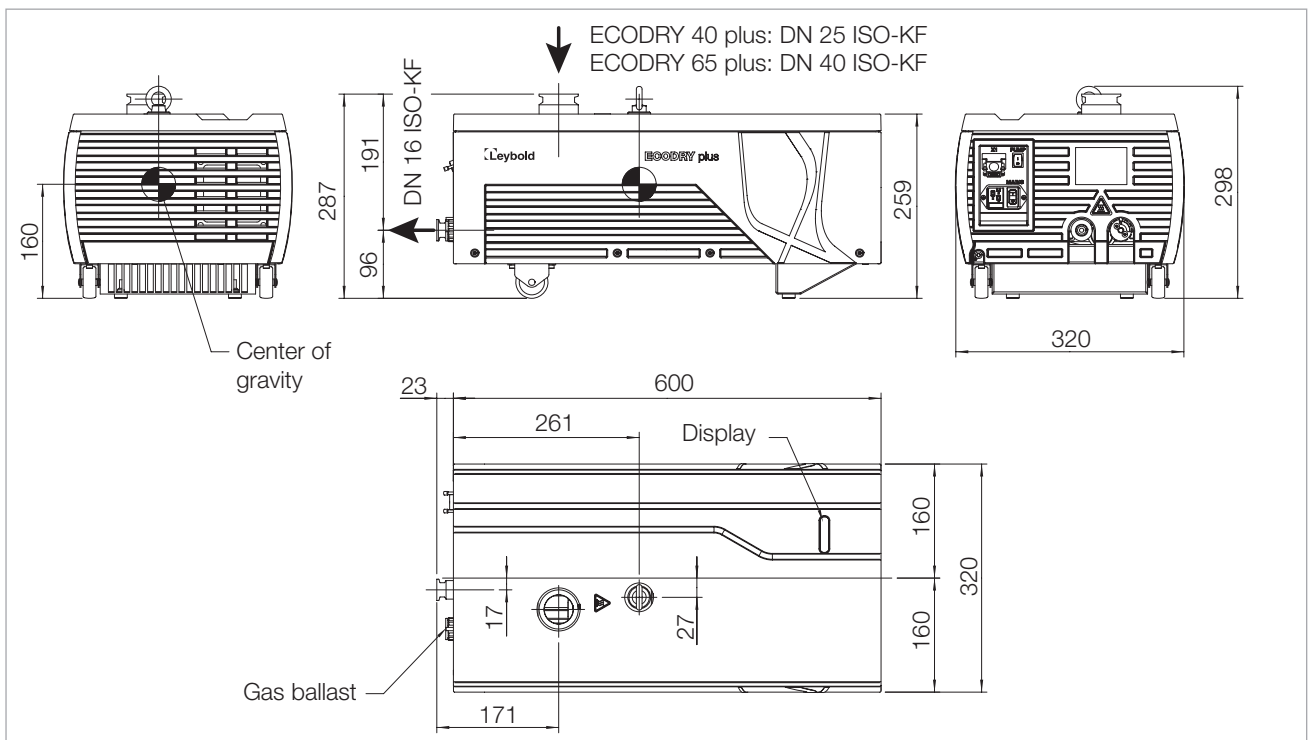
- Mass spectrometry
- Electron microscopy
- Backing pump for turbomolecular pumps
- Drying
- Accelerator/synchrotron
- Spectroscopy
- Regeneration of cryopumps
- Surface analysis



Pumping speed curves for the ECODRY plus - pumps

Technical Data

		ECODRY 40 plus	ECODRY 65 plus
Maximum pumping speed without gas ballast	m ³ /h	40	55
Ultimate pressure without gas ballast	mbar	< 0.03	
Ultimate pressure with gas ballast	mbar	< 0.1	
Leak rate	mbar l/s	< 10 ⁻⁵	
Water vapour tolerance with gas ballast	mbar	20	
Water vapour capacity with gas ballast	g/h	300	500
Maximum permissible inlet pressure	mbar	1050	
Permissible ambient temperature	°C	+5 to +40	
Max. installation height (up to NHN)	m	2000	
Cooling		Air	
Mains voltage	V	200 – 240 ± 10%	
Frequency	Hz	50/60	
Phases		1-ph	
Max. power consumption	W	1200	
Power consumption at ultimate pressure	W	600	
Plug connector for power supply		C 20 acc. to IEC 60320	
Rotational speed	rpm	12600	
Protection class	IP	42	
Intake flange		DN 25 ISO-KF	DN 40 ISO-KF
Outlet flange		DN 16 ISO-KF	
Weight, approx.	kg	43	
Dimensions (L x W x H)	mm	623 x 320 x 298	



Dimensional drawing for the ECODRY plus – pumps, all dimensions in mm

Ordering Information

ECODRY 40 plus

ECODRY 65 plus

	Part No.	Part No.
Dry Compressing Vacuum Pump ECODRY plus High voltage: 200-240 V (\pm 10%), 50/60 Hz Low voltage: 120 V (\pm 10%), 50/60 Hz	161 040 V22 161 040 V21	161 065 V22 161 065 V21
Inlet screens		
DN 25 ISO-KF	E41170206	-
DN 40 ISO-KF	-	E41170121
Accessories		
Mains cables (mandatory accessories)		
EU (CEE 7/7 – C19, 2.0 m)		161 810 EU
UK (BS 1363 – C19, 2.0 m)		161 810 UK
US 120 V only (NEMA 5-15P – C19, 2.0 m)		141 103 US
US 200-240 V only (NEMA 6-15P – C19, 2.5 m)		161 810 US
other accessories		
Casing assembly mounting kit		161 831 A
RS485/USB connecting cable for X104 interface, 1.8 m		161 820 USB
Gas ballast blank plug		161 832 A
Purge gas adapter (10 mm quick connect)		161 833 A
LEYASSIST Software		230 439 V01

Applications for LEYVAC Pumps

Dry compressing vacuum pumps	LEYVAC LV 80	LEYVAC LV 80 C	LEYVAC LV 80 CC	LEYVAC LV 140	LEYVAC LV 140 C	LEYVAC LV 140 CC
Applications						
Process industry						
Industrial furnaces	■	■	■	■	■	■
Degassing	■	■	■	■	■	■
Charging	■	■	■	■	■	■
Casting	■	■	■	■	■	■
Drying processes in general				■	■	■
Freeze drying	■	■	■	■	■	■
Packaging	■	■	■	■	■	■
Electron beam welding	■	■	■	■	■	■
Coating						
PVD / CVD coating	■	■	■	■	■	■
Wear protection	■	■	■	■	■	■
Optical coating	■	■	■	■	■	■
Web coating	■	■	■	■	■	■
Lock / Transfer chambers	■	■	■	■	■	■
Solar						
CVD / PECVD	■	■	■	■	■	■
Crystal pulling and casting	■	■	■	■	■	■
Support functions						
Regeneration of cryo pumps	■	■	■	■	■	■
Forevacuum pumps for Turbomolecular pumps	■	■	■	■	■	■

Products

LEYVAC

Excellent efficiency in every respect



LEYVAC LV 80 and 140

Our LEYVAC dry vacuum pumps provide power combined with high performance.

This product line covers the pumping speed ranges from 80 to 160 m³/h and is especially suited to meet the special requirements of industrial processes and coating applications.

LEYVAC pumps and system combinations are rugged, reliable and durable, ready to cope with harsh process requirements.

The LEYVAC product line comprises the models LEYVAC LV 80, LV 140, and their C or CC versions.

The CC versions include an overtemperature safety shutdown facility.

Advantages to the User

- Dry pump technology
- No contact of the process gases with oil
- Shortest pumpdown times through high pumping speed for air already starting at atmospheric pressure
- Hermetically tight
 - No shaft seals
 - No oil leakage
 - Safe pumping of toxic gases
- High reliability
 - Long service intervals (up to 5 years)
 - High uptime
 - Robust and durable design
- One motor solution
 - Multi-voltage, dual frequency motor operable at 200 V - 460 V and 50/60 Hz
- Easy and modular
 - Direct coupling of roots booster pumps without frames for models RUVAC WH 700 and WA(U)/WS(U) 251-1001

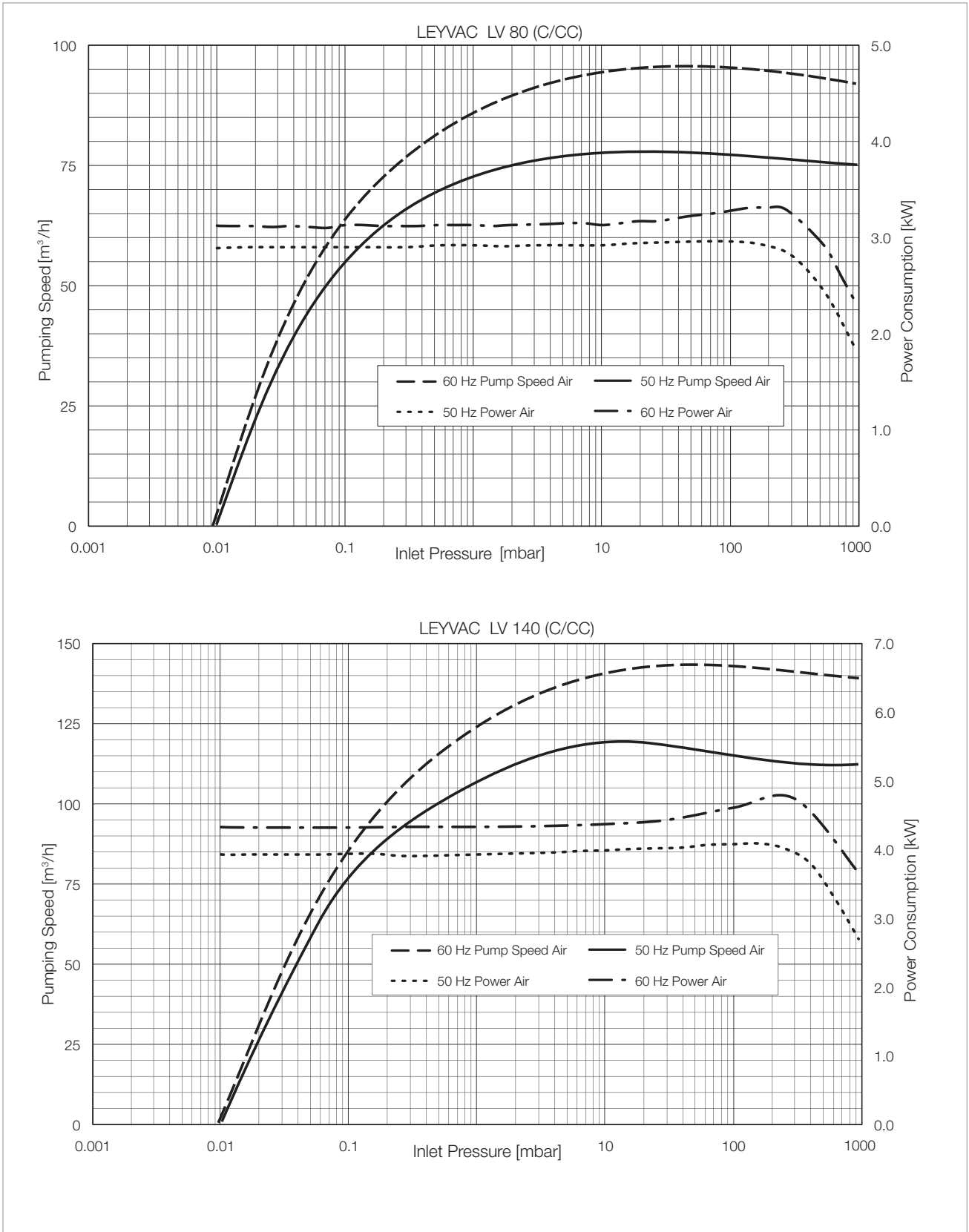
Typical Application

- Process industry
 - Industrial furnaces
 - Degassing
 - Charging
 - Casting
 - Drying processes
 - Freeze drying
 - Electron beam welding
 - Packaging
- Coating
 - PVD/CVD coating
 - Wear resistant coating
 - Optical coating
 - Web coating
 - Load locks/transfer chambers
- Solar
 - CVD/PECVD
 - Crystal pulling and casting
- Support functions
 - Regeneration of cryo pumps
 - Forevacuum pumps for turbomolecular pumps

Performance Details at a Glance

LEYVAC dry vacuum pumps provide **optimized**

- System uptime
 - Robust design based on the proven RUVAC and DRYVAC technology
 - Most effective cooling system
 - Thermal protection on board (for CC versions)
 - Tolerant to pressure shocks
 - Long intervals for bearing exchange
- Process safety
 - designed for harsh applications
- Performance data
 - High pumping speed already at high intake pressures
 - Good pumping speed also for lighter gases (with purge)
- Environmental properties
 - Low noise and low heat emission
- Price-to-performance ratio
 - Low investment costs
 - Small, price optimized pumping systems



Pumping speed curves of the LEYVAC LV 80 (C/CC) and LEYVAC LV 140 (C/CC)

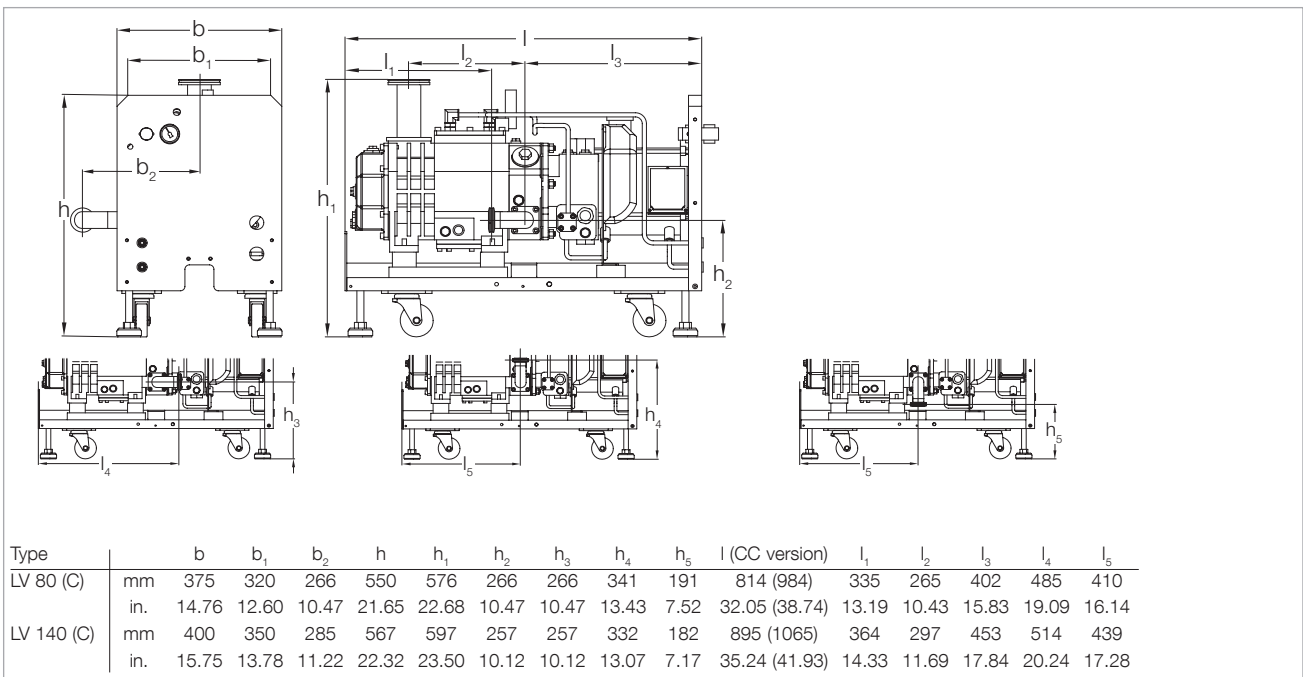
Technical Data

LEYVAC

		LV 80 (C/CC)	LV 140 (C/CC)
Nominal pumping speed without gas ballast at 50/60 Hz	m ³ /h (cfm)	80/96 (47.1/56.5)	125/145 (73.6/85.3)
Ultimate pressure with seal and rotor purge	mbar (Torr)	1 x 10 ⁻² (0.75 x 10 ⁻²)	
Power consumption at ultimate pressure and 50/60 Hz operation	kW (hp)	2.9/3.2 (3.9/4.3)	3.9/4.3 (5.2/5.8)
Weight, approx.			
LV ..	kg (lbs)	280 (617)	300 (661)
LV ... C/CC	kg (lbs)	300 (661)	320 (705)
Noise level ¹⁾	dB(A)	< 65	< 65
Connection flange			
Intake	DN	63 ISO-K	
Discharge	DN	40 ISO-KF	
Mains voltage (± 10%)			
LV ...	V	200 – 460	
LV ... C (with housing)	V	200 – 460	
LV ... CC (with housing and Temperature monitoring)	V	380 – 460	
Nominal power at 50/60 Hz	kW (hp)	4.1 (5.5)	5.5 (7.4)
Nominal current consumption 50/60 Hz bei 400 V	A	6	8
Cooling		water/glycol	
Cooling water temperature	°C (°F)	+15 to +30 (+59 to +86)	
Min. cooling water throughput	l/min	3	
Water vapor tolerance (with gas ballast)			
80 slm 50/60 Hz	mbar (Torr)	20/30	125/160
150 slm 50/60 Hz ²⁾	mbar (Torr)	-/-	-/-
Water vapor capacity (with gas ballast)			
80 slm 50/60 Hz	kg/h	1,24/2,3	11,5/18,0
150 slm 50/60 Hz ²⁾	kg/h	-/-	-/-
Permissible ambient temperature	°C (°F)	+5 to +45 (+41 to +113)	
Protection class EN 60529	IP	54	
Dimensions (W x H x D)			
LV ... and LV ... C	mm (in.)	814 x 375 x 550 (32.05 x 14.76 x 21.65)	895 x 400 x 567 (35.24 x 15.75 x 22.32)
LV ... CC	mm (in.)	984 x 375 x 550 (38.74 x 14.76 x 21.65)	1065 x 400 x 567 (41.93 x 15.75 x 22.32)

¹⁾ At ultimate pressure and with rigid exhaust line DIN EN ISO 2151

²⁾ 2nd case: with 24 V gas ballast kit 115005A13 fitted to port 2, standard purge also opened



Dimensional drawing for the LEYVAC LV 80/C and LV 140/C; below for exhaust connection

Ordering Information

LEYVAC

LV 80 (C/CC)

LV 140 (C/CC)

	Part No.	Part No.
Dry compressing vacuum pump LEYVAC including LEYBONOL LVO 410 lubricant, base plate, castors, temperature switch, shaft seal and rotor purge	15080V15	115140V15
including LEYBONOL LVO 210 lubricant	115080V40	115140V40
additionally with casing (C version)	115080V30	115140V30
additionally with casing and temperature monitoring (CC version)	115080V35	115140V35
Accessories		
Non-return ball valve	115005A01	115005A01
Non-return valve, spring-loaded	115005A02	115005A02
Roots pump adapter for RUVAC WS/WSU 251/501 and WH 700	115005A03	115005A03
Adapter ring for RUVAC WA(U)/WS(U)1001	—	115005A04 and 115005A03
Exhaust pressure sensor LV 80	115005A10	—
LV 140	—	115005A11
Gas ballast kit manually operated 24 V	115005A12 115005A13	115005A12 115005A13
Silencer standard (with integrated non-return valve)	115005A20	115005A20
serviceable	115005A22	115005A22
emptyable	115005A23	115005A23
High-performance silencer	115005A21	115005A21
Elbow for silencer, emptyable	115005A26	115005A26
Inlet screen	115005A28	115005A28
External frequency converter (including mains filter) for		
LEYVAC LV 80 (400 V)	115005A30	—
LEYVAC LV 80 (200 V)	115005V31	—
LEYVAC LV 140 (400 V)	—	115005A35
LEYVAC LV 140 (200 V)	—	115005V36
Profibus module ¹⁾	155212V	155212V
Relais module (digital output) ¹⁾	112005A01	112005A01
Ethernet interface module ¹⁾	112005A02	112005A02
ProfiNet module ¹⁾	112005A35	112005A35
EtherCAT module ¹⁾	112005A36	112005A36

¹⁾ For optional, external frequency converter

General

Applications for DRYVAC Pumps

Pumps	Applications									
	DRYVAC DV 200	DRYVAC DV 300	DRYVAC DV 450	DRYVAC DV 450 S	DRYVAC DV 450 C	DRYVAC DV 650	DRYVAC DV 650 S	DRYVAC DV 650 C	DRYVAC DV 1200	DRYVAC DV 1200 -i
Automotive industry	■	■	■			■			■	■
Electrical engineering	■	■	■			■			■	■
Energy technology	■	■	■		■	■		■	■	■
Degassing	■	■	■			■			■	■
Research and development	■	■	■		■	■		■	■	■
Freeze drying	■	■	■		■	■		■	■	■
Industrial gases	■	■	■		■	■		■	■	■
Refrigeration and air conditioning	■	■	■			■			■	■
Crystal pulling/casting	■	■	■		■	■		■	■	■
Lamination	■	■	■			■		■	■	■
Leak testing machines	■	■	■	■		■	■		■	■
Loadlock chambers	■	■	■	■		■	■		■	■
Metallurgy/Furnaces	■	■	■			■			■	■
Plasma cleaning or activation	■	■	■		■	■		■	■	■
Welding technology	■	■	■	■		■	■		■	■
Sterilization	■	■	■		■	■		■	■	■
Vacuum coating	■	■	■		■	■		■	■	■
Vacuum drying	■	■	■	■		■	■		■	■
Packaging	■	■	■			■			■	■
Space simulation	■	■	■			■			■	■
Wind turbines	■	■	■			■			■	■
Backing pump for highvacuum systems	■	■	■			■			■	■

Oil for DRYVAC pumps for different pump types

Pumps	LEYBONOL Oils									
	DRYVAC DV 200	DRYVAC DV 300	DRYVAC DV 450	DRYVAC DV 450 S	DRYVAC DV 450 C	DRYVAC DV 650	DRYVAC DV 650 S	DRYVAC DV 650 C	DRYVAC DV 1200	DRYVAC DV 1200 -i
LVO 210	■	■	■	■		■	■		■	■
LVO 410				■	■		■	■		■

■ = Standard

The table only lists general applications. Your specific requirements might be subject to deeper analysis. For further questions, please contact our technical Sales support.

For information on oil specifications please refer to Catalog Part "Oils / Greases / Lubricants LEYBONOL®".

Oil for DRYVAC pumps for different fields of application

LEYBONOL Oils

Applications	LVO 210	LVO 410
Automotive industry	■	
Electrical engineering	■	
Energy technology	■	
Degassing	■	
Research and development	■	
Freeze drying	■	
Industrial gases	■	
Refrigeration and air conditioning	■	
Crystal pulling/casting	■	
Lamination	■	
Leak testing machines	■	
Loadlock chambers	■	
Metallurgy/Furnaces	■	
Plasma cleaning or activation	●	■
Welding technology	■	
Sterilization	■	
Vacuum coating	■	
Vacuum drying	■	
Packaging	■	
Space simulation	■	
Wind turbines	■	
Backing pump for highvacuum systems	■	
Oxygen processes		■
PECVD		■

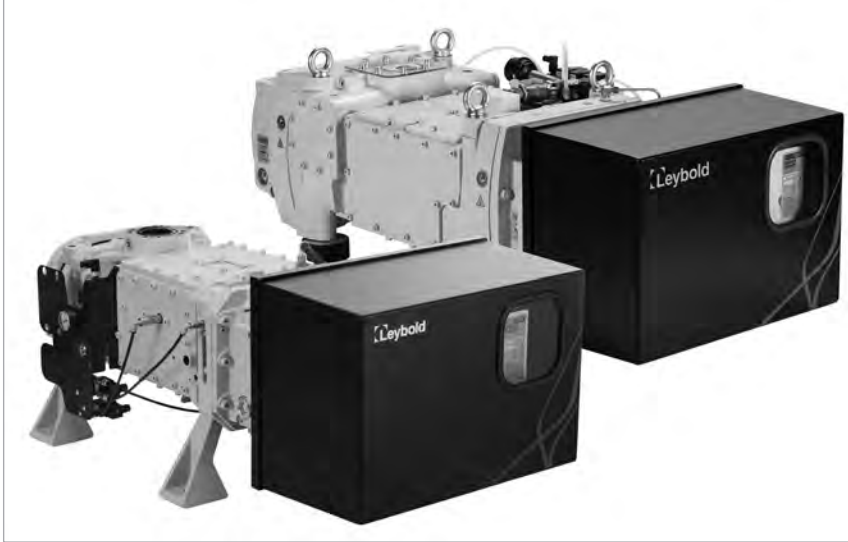
- = Standard
- = Possible

The table only lists general applications. Your specific requirements might be subject to deeper analysis. For further questions, please contact our technical Sales support.

For information on oil specifications please refer to Catalog Part "Oils / Greases / Lubricants LEYBONOL®".

Products

DRYVAC DV 200 to DV 1200 -i



DRYVAC DV 200/300 (left), DV 650 (right)



DRYVAC DV 1200 -i

DRYVAC – The benchmark in industrial vacuum processes

The DRYVAC dry screw pumps provide high pumping speeds down to the lowest vacuum pressure levels required in industrial processes. The pumps provide continuous production output in your stressful environment minimizing the risk of contamination thanks to modern oil-free technology.

If you already own a mechanical booster, consider that dry pumps have the same low level of requirement in terms of maintenance and service.

All DRYVAC variants are water cooled, very compact and easy to combine into systems, in particular with the well-proven Roots pumps of the RUVAC WH series.

Concerning basic and full blown plug & play system combination of DRYVAC and RUVAC please refer the chapter DRYVAC SYSTEMS DS.

DRYVAC Versions

The DRYVAC-i versions and DS-i-Systems (see chapter DRYVAC Systems DS) expand the DRYVAC by an on board controller with a touch screen display and a user interface allowing plug&play operation and configuration.

Different interfaces are available: 24 V I/O, Profibus, Ethernet IP.

DRYVAC DV200 and DV 300 are for 200-240 Volts and for 380-460 Volts equipped with an on-boarded intelligent variable speed drive. They offer an automatically controlled vacuum side shaft seal purge and on the outside an I/O (15 pin Sub D) and RS485 interface (9 pin Sub-D). All other interfaces like Ethernet IP are available as optional cards. The DRYVAC speaks proverbial every language.

DRYVAC 450/650 with external variable speed drive (FC) are available on request. These are named DV – r.

The DRYVAC DV 650 200 V comes with an external variable speed drive (FC) as standard.

All DRYVAC DV 1200 come on a base plate with casters, adjustable feet and enclosure.

All DRYVAC S and C and DV 1200 versions comprise a water cooling unit which includes water distributions, a pressure reducer and an overpressure safety valve.

Features and Benefits

Maintenance

- Minimal maintenance requirements lead to lowest cost of ownership
- Extended periods between user intervention
- Lower consumable costs

Performance

- Very stable pumping speed gives repeatability to processes
- Continuous pumping at atmosphere
- Ability to handle dust, vapors and process by-products
- Dry eliminates back-streaming, thus protecting reactive alloys from contamination

Design

- Superior and compact design
- Energy-efficient (benchmark in 300 and 650 class)
- Integrated variable speed drive cannot be harmed by industrial cooling water or dust
- Flexible to use (three inlet ports and low height)

Safety

- Low noise levels

The best DRYVAC for every application

For industrial processes of all kinds, where rapid pumping down and short cycling (e.g. load locks) is required, the DRYVAC Industrial is the best solution.

The DRYVAC DV industrial versions (with **lubricant LVO 210, synthetic oil**) deliver an excellent pumping speed also in processes with pressures exceeding 100 mbar. They are suited for short cycle operation or for evacuation of large vacuum chambers.

The DRYVAC DV pumps are furthermore equipped with all features necessary for process industry applications (Purge gas unit including rotor purge or gas ballast for example).

In application with high oxygen concentrations, corrosive gasses or harsh PECVD processes pumps with **lubricant LVO 410 (PFPE)** are required. In these applications the DRYVAC DV C models are the right choice

Typical Applications

- Metallurgy
- Coating
- Drying
- Solar
- Vacuum chamber evacuation
- Load lock

Certifications

DRYVAC vacuum pumps are certified to NRTL and CSA according to UL 61010-1



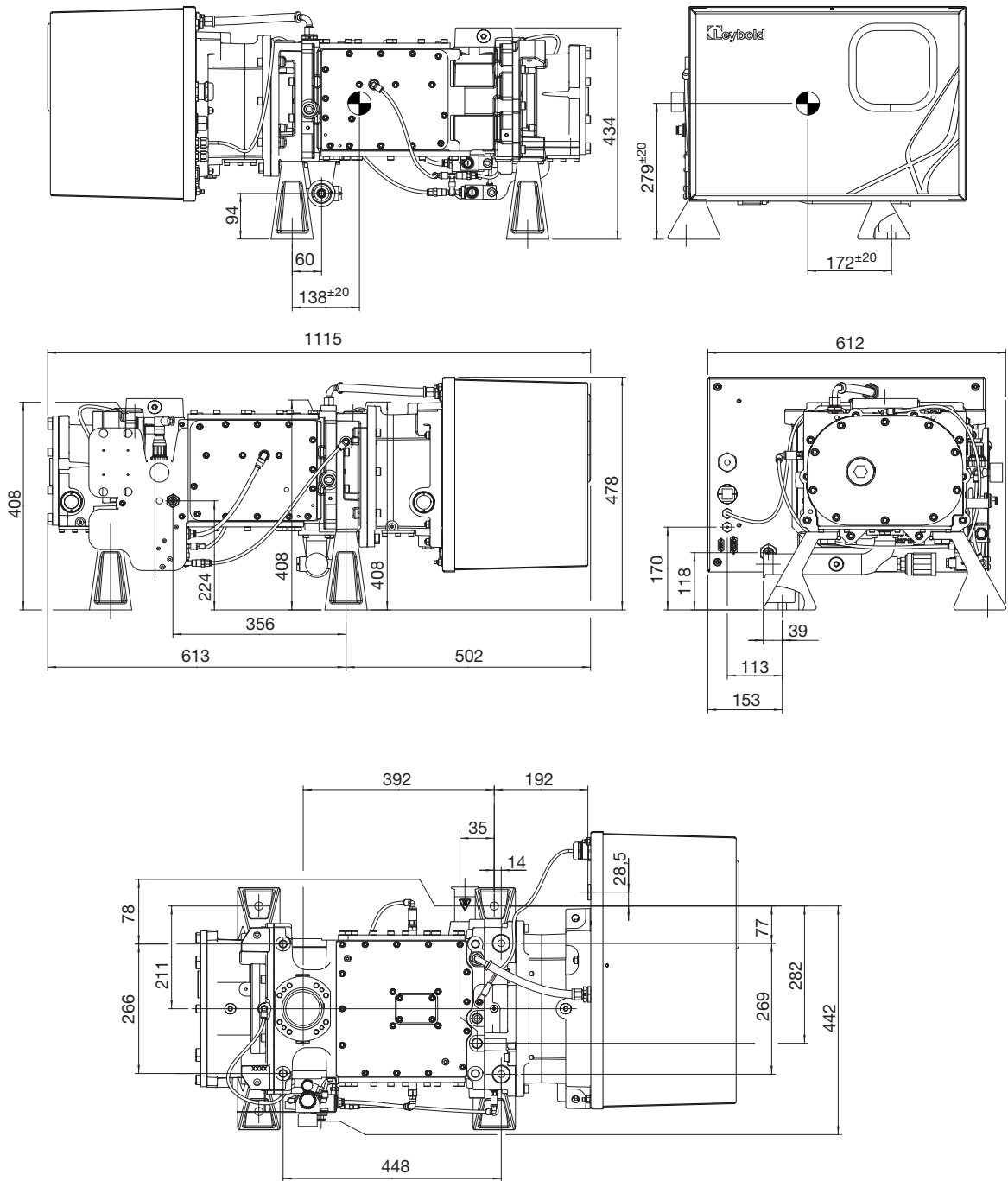
The DRYVAC series

comprises the models

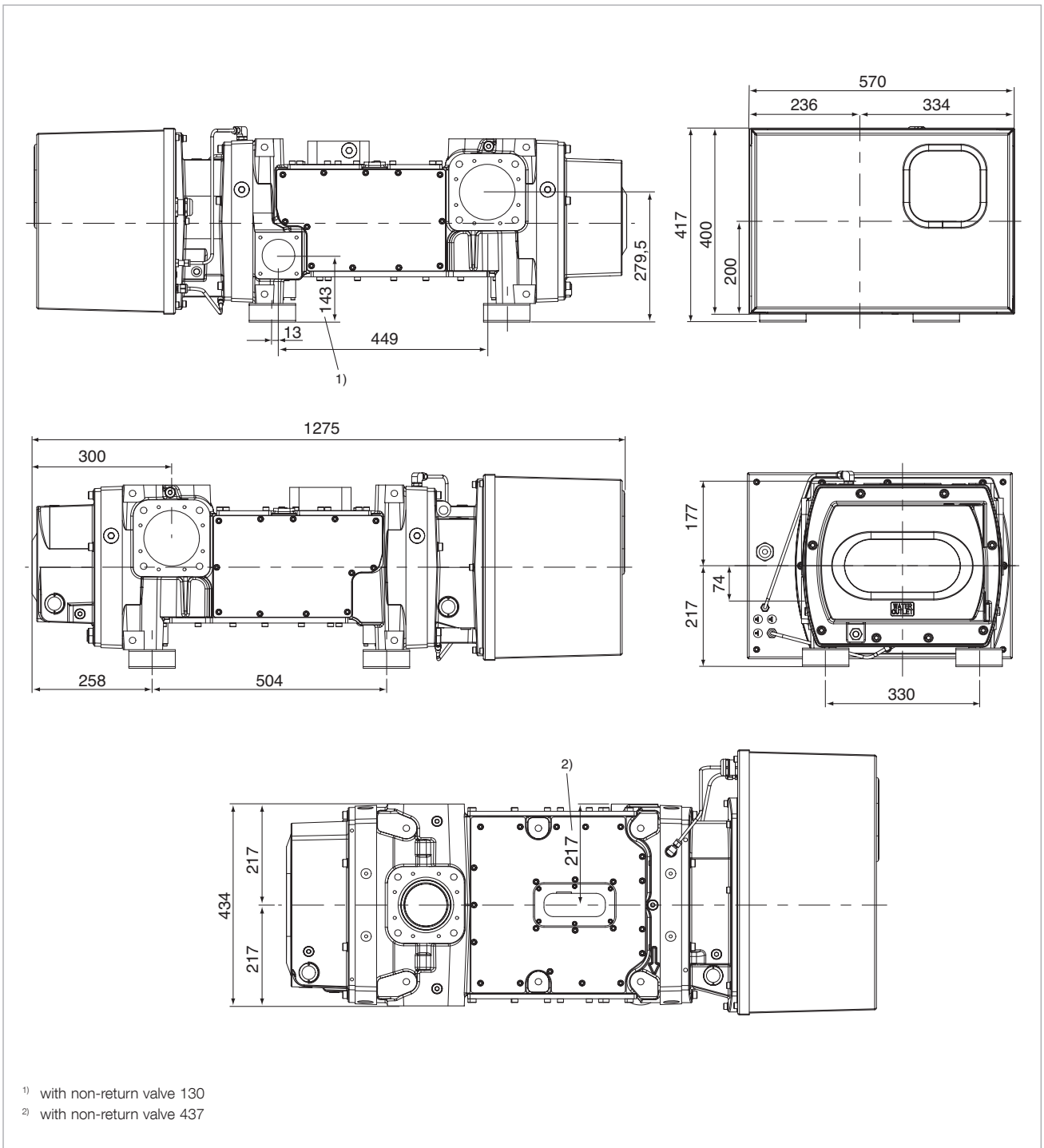
- DRYVAC DV 200
 - DRYVAC DV 300
 - DRYVAC DV 450
 - DRYVAC DV 650
 - DRYVAC DV 650 Atex Cat. 2 I T2
 - DRYVAC DV 1200
 - DRYVAC DV 1200 S-i
 - DRYVAC DV 1200 Atex Cat. 2 I T2
- and allows for numerous combinations with Roots pumps from the RUVAC series.



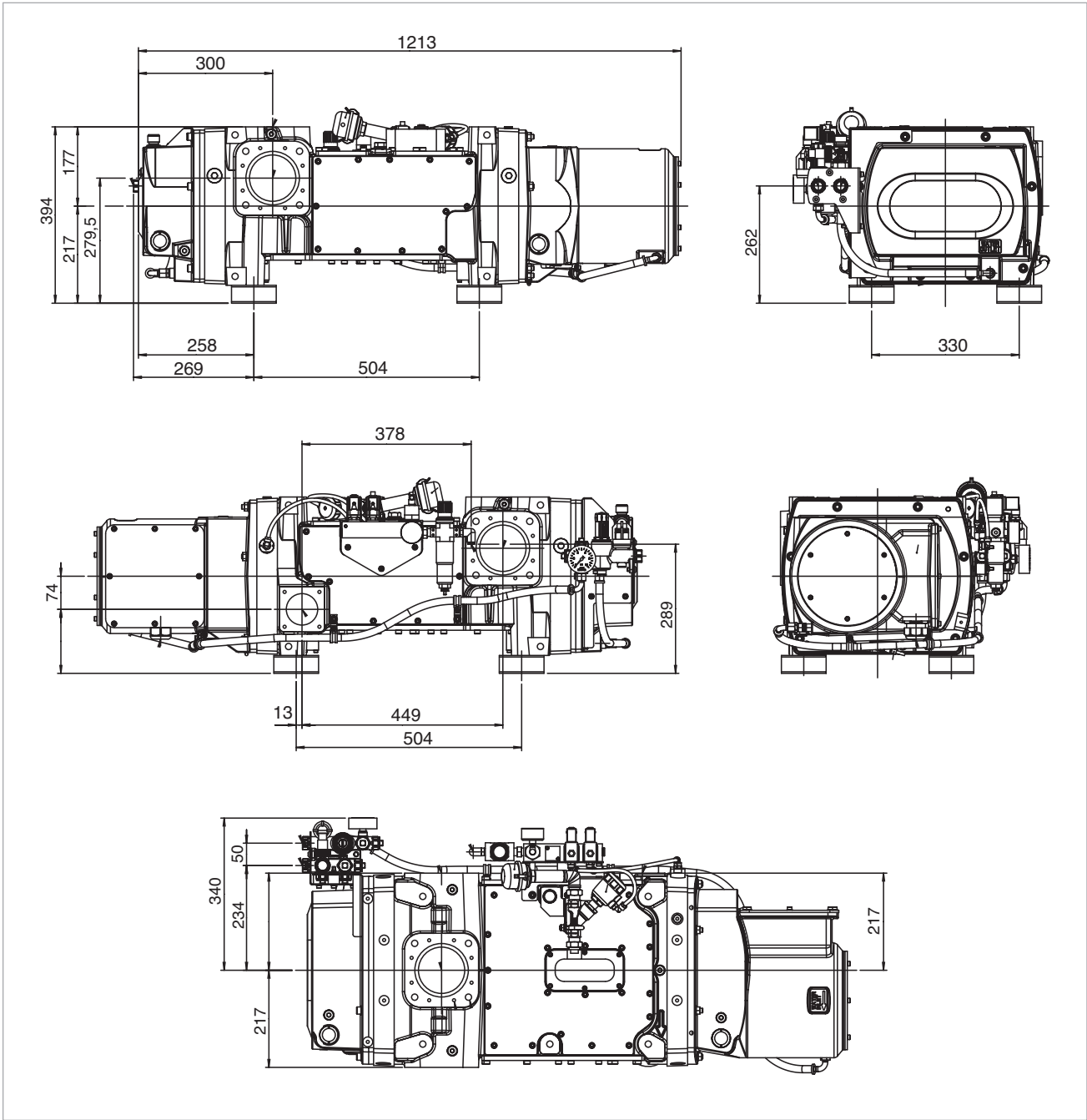
DRYVAC DS Systems with Roots Blowers RUVAC WAU 2001, WH 2500, WH 4400



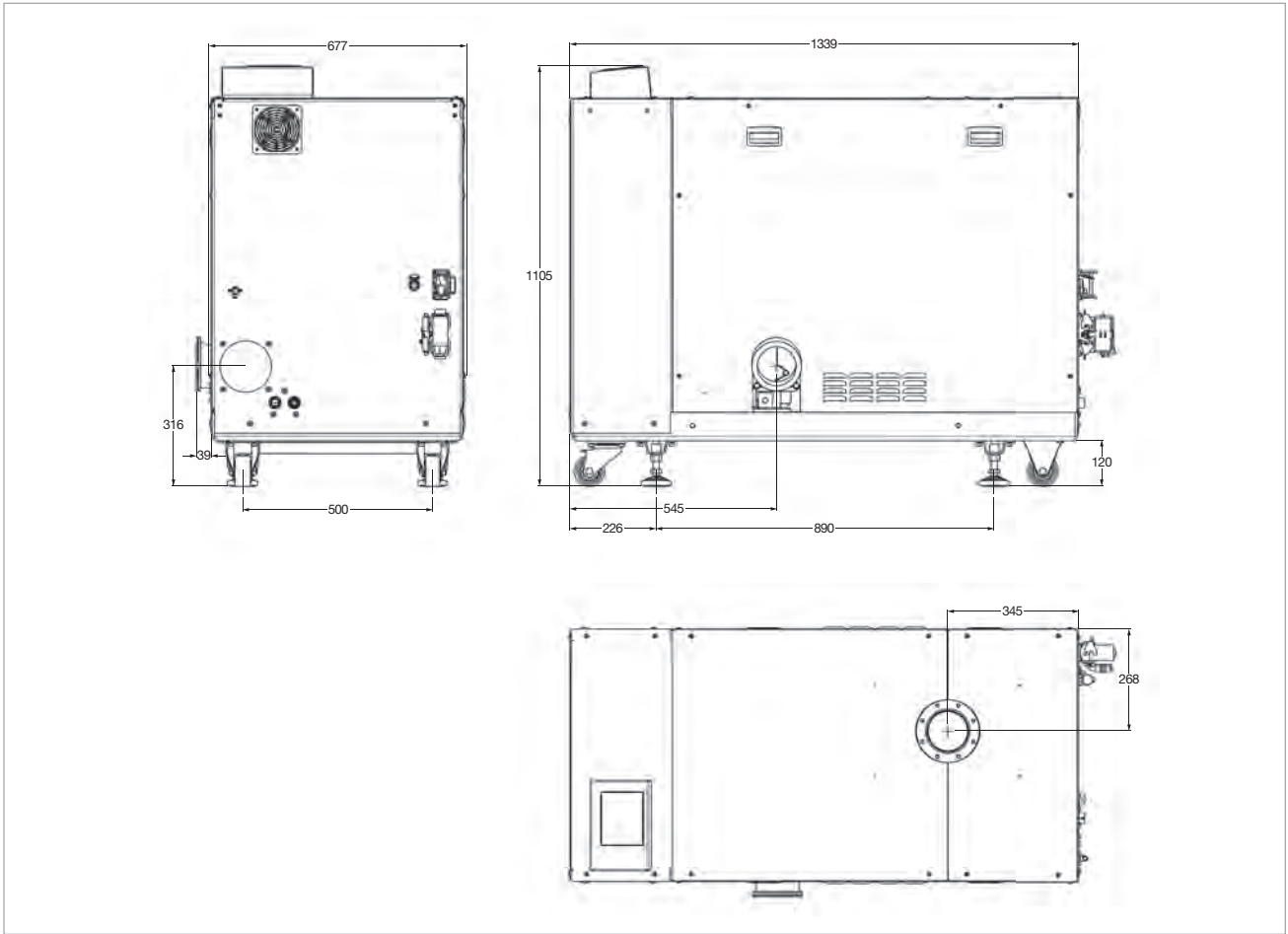
Dimensional drawing for the DRYVAC DV 200 and DV300, all dimensions in mm



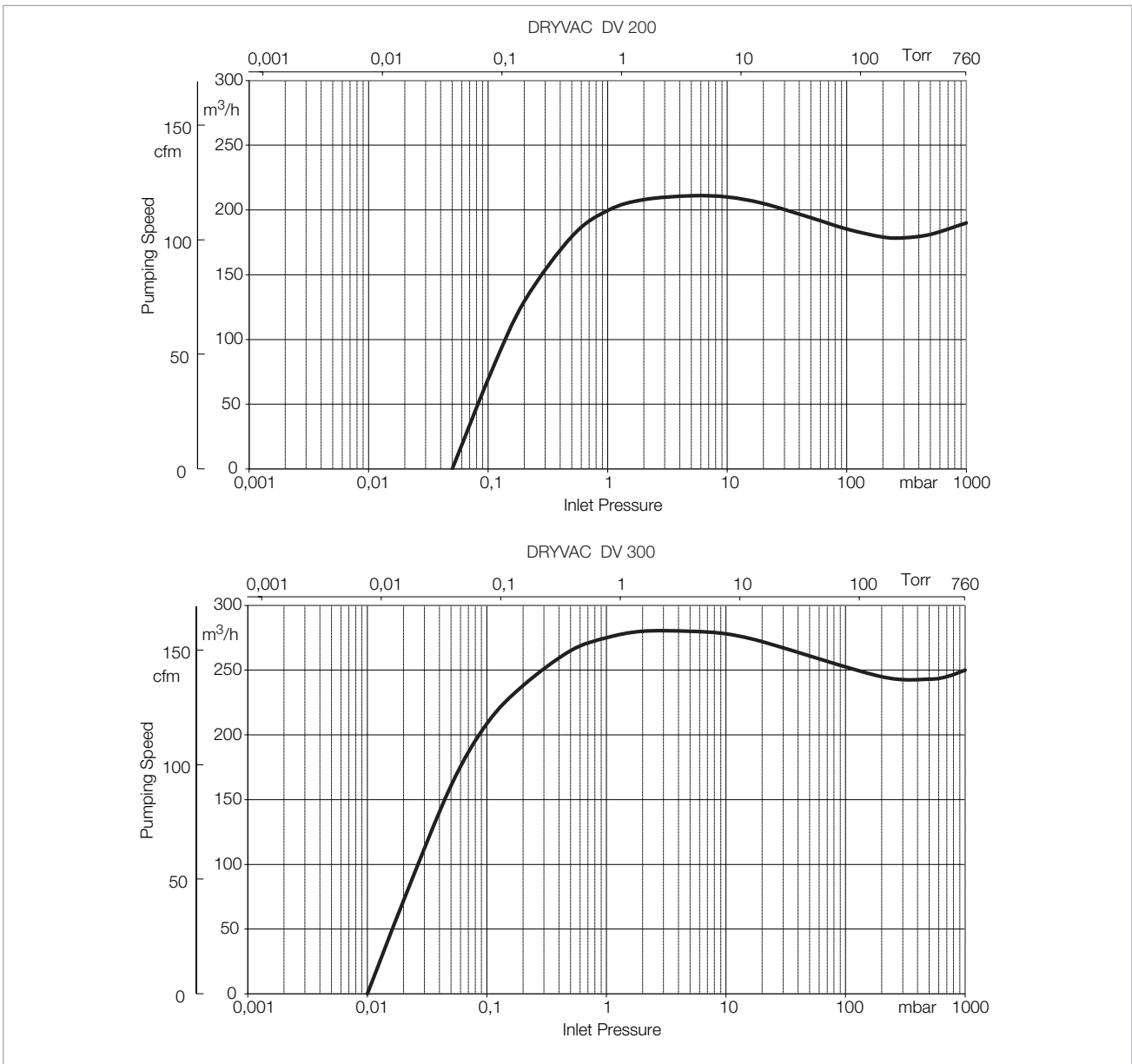
Dimensional drawing for the DRYVAC DV 450 and DV 650, all dimensions in mm



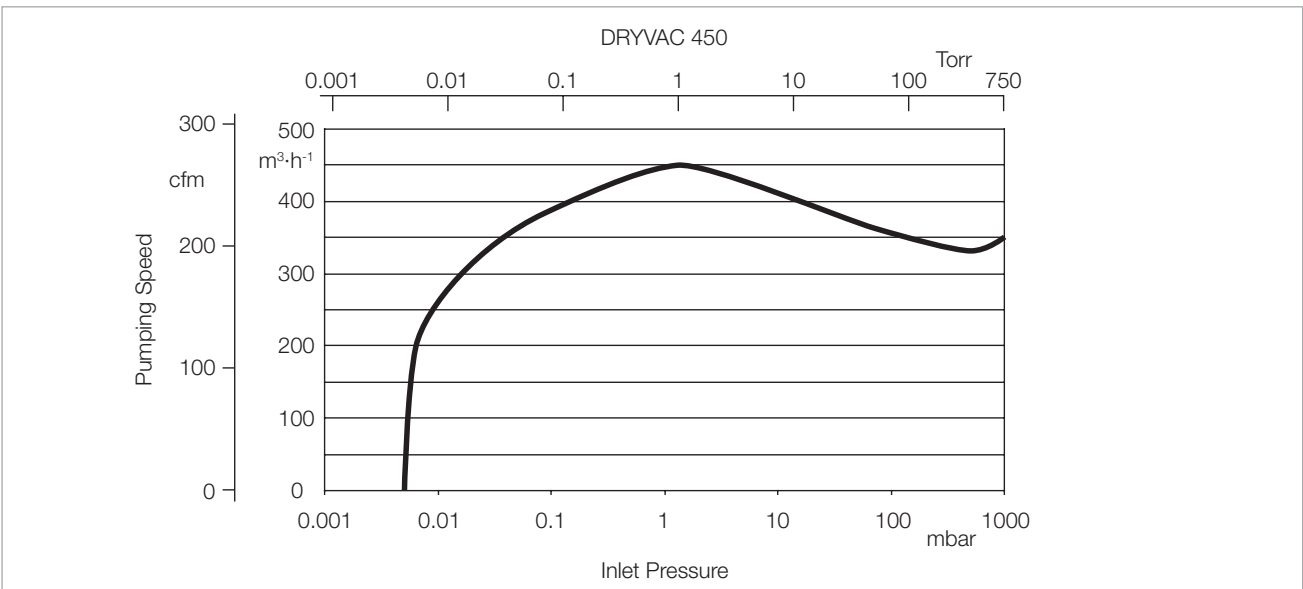
Dimensional drawing for the DRYVAC DV 450-r and DV 650-r, all dimensions in mm



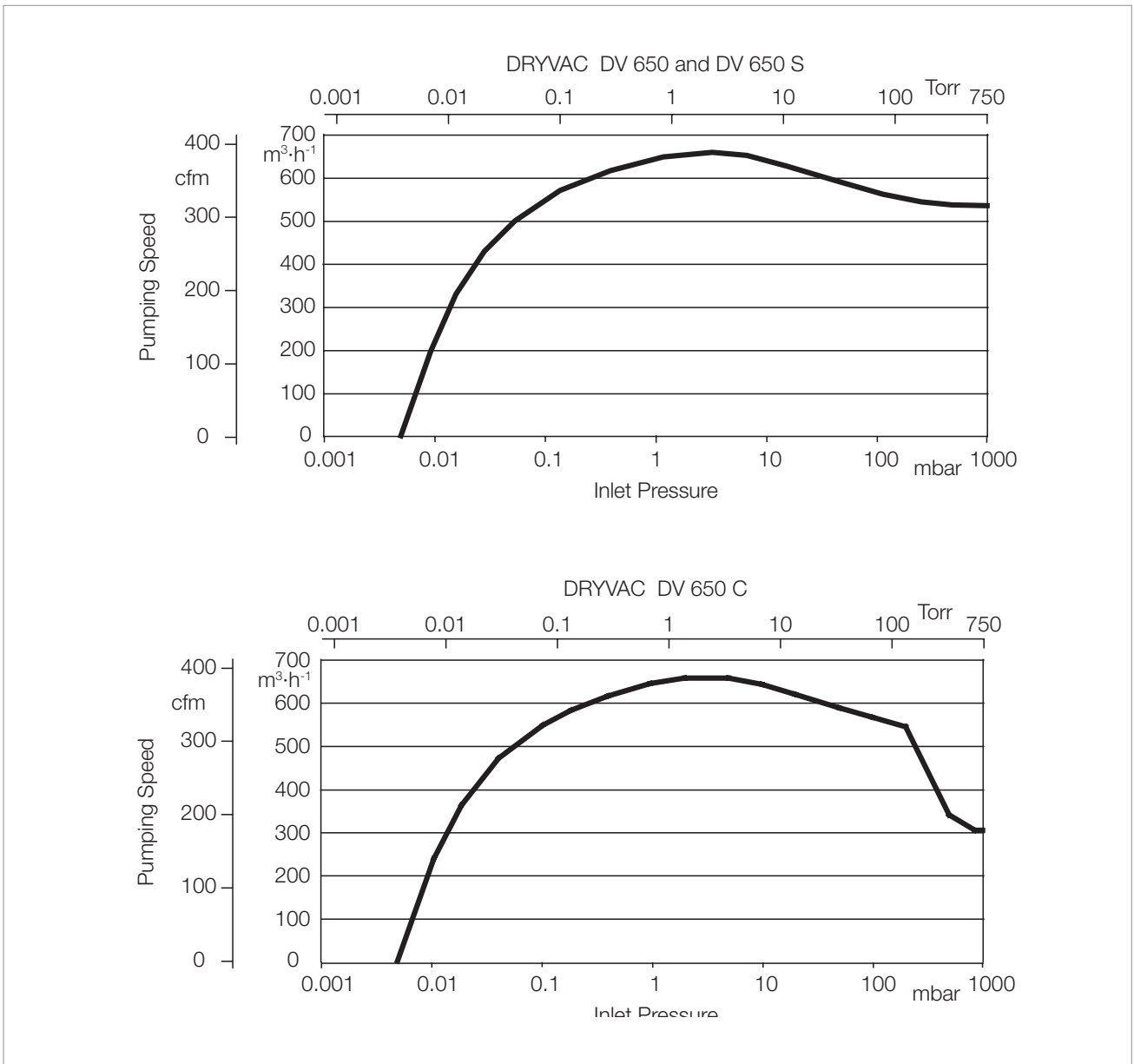
Dimensional drawing for the DRYVAC DV 1200 S-i, all dimensions in mm



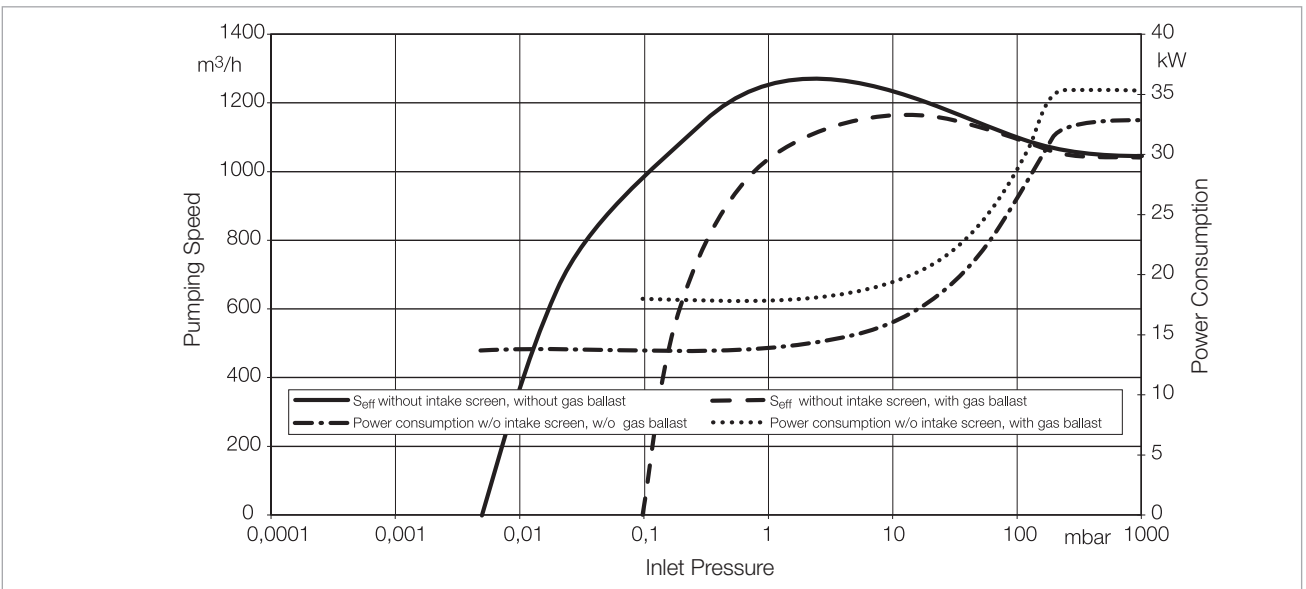
Pumping speed curves of the DRYVAC DV 200 and DV 300



Pumping speed curves of the DRYVAC DV 200 and DV 300



Pumping speed curves of the DRYVAC DV 650 (S) and DRYVAC DV 650 C



Pumping speed curves of the DRYVAC DV 1200 and DV 1200 S-i

Technical Data

DRYVAC DV

		200	300
Nominal pumping speed	m ³ /h (cfm)	210 (123.6)	280 (164,8)
Max. effective pumping speed without gas ballast	m ³ /h (cfm)	210 (123.6)	280 (164,8)
Ultimate pressure	mbar (Torr)	< 0.05 (< 0.038)	< 0.01 (< 0.0075)
Permissible ambient temperature	°C (°F)	+5 to +50 (+41 to +122)	
Water vapour tolerance with > 20 slm purge gas or gas ballast	mbar (Torr)	50 (37.5)	
Water vapour capacity	kg/h	5	
Noise level at ultimate pressure with silencer	dB(A)	65	
with rigid exhaust line	dB(A)	65	
Power consumption at ultimate pressure	kW	4.1	4.5
Lubricant filling		LV 210 synthetic Oil	
Cooling		water	
Electrical connection		380-460 V or 200-240 V ±10 %, 50/60 Hz	
Phases		3-ph.	
Nominal power	kW	7.5	
Nominal current at 400 V	A	13.8	
Intake connection	DN	63 ISO-K	
Exhaust side connection	DN	40 ISO-KF	
Protection class EN 60529	IP	54	
Weight	kg (lbs)	370 (815.7)	
Dimensions (W x D x H)	mm (in.)	1110 x 613 x 478 (43.7 x 24.1 x 18.8)	
Cooling water connection Threads, female	G	1/2	
Cooling water temperature	°C (°F)	5 to 35 (41 to 95)	
Cooling water throughput, nominal	l/min	8	
(US gallon/min)		(2.11)	
Purge gas connection (plugged connection)		D10	

Ordering Information

DRYVAC DV

	200	300
	Part No.	Part No.
DRYVAC 200 V 400 V	112020V19 112020V15	112030V19 112030V15
DRYVAC ATEX, 400 V	-	112030V11
Accessories		
Profibus module for DRYVAC DV / DV-r	155212V	
ProfiNet module for DRYVAC DV / DV-r	112005A35	
EtherCAT module for DRYVAC DV / DV-r	112005A36	
Relay module (digital output) for DRYVAC DV / DV-r	112005A01	
Ethernet module (Dual port) for DRYVAC DV / DV-r	112005A02	
RS485/USB cable for interface X104, 1.8 m	161820USB	
Adapter DRYVAC DV 200/300 for		
RUVAC WH 501 / WH 700	112004A03	
RUVAC Wx(U) 1001	112004A04	
RUVAC Wx(U) 2001	112004A05	
RUVAC WH(U) 2500	112004A07	
Non-return valve DRYVAC, DN 40 KF ¹⁾	115005A01	
Elbow 90° DN 40 KF, stainless steel	88464	
Silencer DN 40 KF	115005A21	
Synthetic Oil, ester oil, LEYBONOL LVO 210, 5 litres	L21005	

¹⁾ must only be installed vertically

Technical Data

DRYVAC DV

		450	650	1200-i	1200
Nominal pumping speed	m ³ /h (cfm)	450 (265)	650 (383)	1250 (736)	1250 (736)
Max. effective pumping speed	m ³ /h (cfm)	450 (265)	650 (383)	1250 (736)	1250 (736)
Ultimate pressure	mbar (Torr)	5 x 10 ⁻³ (4 x 10 ⁻³)			
Permissible ambient temperature	°C (°F)	+5 to +50 (+41 to +122)			
Water vapour tolerance with > 20 slm purge gas or gas ballast	mbar (Torr)	60 (45)	60 (45)	- -	- -
with > 40 slm purge gas or gas ballast	mbar (Torr)	- -	- -	60 (45)	60 (45)
Water vapour capacity	kg/h	15	25	50	50
Noise level at ultimate pressure with silencer	dB(A)	67			
with rigid exhaust line	dB(A)	65			
Power consumption at ultimate pressure	kW	4.7	6.6	14	14
Cooling		water	water	water/air	water
Electrical connection		380 – 460 V, 50/60 Hz			
Phases		3-ph.			
Nominal power at 400 V	kW	11	15	30	30
Nominal current at 400 V	A	24	31	62	62
Intake connection	DN	100 ISO-K PN6 (1x at the top, 2x at the side)	100 ISO-K PN6 (1x at the top, 2x at the side)	100 ISO-K	100 ISO-K
Exhaust side connection	DN	63 ISO-K	63 ISO-K	100 ISO-K	100 ISO-K
Protection class EN 60529	IP	54	54	20	54
Weight	kg (lbs)	620 (1367)	589 (1280)	1400 (3091)	1400 (3091)
Dimensions (W x D x H)	mm (in.)	1280 x 570 x 420 (50.4 x 22.4 x 16.5)	1280 x 570 x 420 (50.4 x 22.4 x 16.5)	1339 x 677 x 1105 (53.9 x 26.7 x 43.5)	1339 x 677 x 1105 (53.9 x 26.7 x 43.5)
Cooling water connection Threads, female	G	1/2			
Cooling water temperature with gear oil LEYBONOL LVO 210	°C (°F)	5 to 35 (41 to 95)			
with gear oil LEYBONOL LVO 410	°C (°F)	5 to 25 (41 to 77)			
Cooling water throughput, nominal	l/min (US gallon/min)	6.0 (1.6)	7.5 (2.0)	15.0 (4.0)	15.0 (4.0)
Purge gas connection (plugged connection)		D10			

Ordering Information
DRYVAC DV

	450	650	1200-i	1200
	Part No.	Part No.	Part No.	Part No.
DRYVAC LVO 210 (Industrial) Double purge and air- gasballast				
200 V	112045V19-1	112065V19-1	-	-
400 V	112045V15-1	112065V15-1	-	112120V17-1
400 V, with Energy Saver	-	112065V16-1	-	-
DRYVAC LVO 210 (Industrial) Triple purge, 400 V				
400 V	-	112065V17-1	112120V50-1	-
400 V, with Energy Saver	-	112065V18-1	-	-
DRYVAC LVO 210 (Industrial) Load lock, 400 V	112045V09-1	112065V09-1	-	-
DRYVAC LVO 210 ATEX, 400 V	-	112065V11-1	-	112120V11-1
DRYVAC LVO 410 (PFPE) S Single purge				
200 V	112045V29-1	-	-	-
400 V	112045V20-1	112065V20-1	112120V40-1	-
DRYVAC LVO 410 (PFPE) C Triple purge, 400 V	112045V30-1	112065V30-1	-	-
Accessories				
DRYVAC Energy Safer (only for LVO 210)	112005A60	112005A60	-	-
Glycol Air-Cooling-System FLKS-4S	112005A45	112005A45	-	-
Kit Fitting Hoses for Glycol Air-Cooling-System	112005A47	112005A47	-	-
Outlet Flange DN 63 ISO-K x 80 mm	112005A62	112005A62	-	-
Frequenzcy Converter IP 66 for DRYVAC DV-r	112005A65	-	-	-
Profibus module for DRYVAC DV / DV-r	155212V			
ProfiNet module for DRYVAC DV / DV-r	112005A35			
EtherCAT module for DRYVAC DV / DV-r	112005A36			
Relay module (digital output) for DRYVAC DV	112005A01			
Ethernet module (Dual port) for DRYVAC DV	112005A02			
LEYASSIST Windows Software ²⁾	230439V01			
RS232 adapter for FC DRYVAC RUVAC WH	155224V			
Adapter USB – RS232	800110V0103			
Interface kit 24 Volt I/O for DRYVAC DV / DV-i	112005A22			
Adapter DRYVAC for DV 450/650				
RUVAC WH 700	112005A03			
RUVAC WS(U) 1001	112005A04			
RUVAC WS(U) 2001	112005A05			
RUVAC WH(U) 2500	112005A07			
RUVAC WH(U) 4400/7000	112005A10			
Cooling water unit				
DRYVAC 450/650	112005A12			
DRYVAC 450/650-r	112005A13			
Non-return valve DRYVAC, DN 63 ISO-K ¹⁾	112005A15			
Gas ballast kit DRYVAC, 24 V electro-pneumatic	112005A17			
Silencer				
DN 63 ISO-K for DV 450/650 and SP 250	119002			
DN 100 ISO-K for DV 1200 and SP 630	119001			
Serviceable silencer				
DN 63 ISO-K for DV 450/650 and SP 250	119003V			
DN 100 ISO-K for DV 1200 and SP 630	119004V			
External display (not for 1200-i)	155213V			
Harting plug DRYVAC S-i/C-i	112005A20			
Set of nozzles for DRYVAC purge gas	112005A30			
Permanent inlet purge kit	112005A32			

¹⁾ Already integrated in all -i versions

²⁾ Operating, configuration and analysis software for DRYVAC and other Leybold products

General

Applications for SCREWLINE Pumps

Dry Compressing Scroll Vacuum Pumps	SCREWLINE SP 250 (ATEX)	SCREWLINE SP 630 F (ATEX)
Applications		
Food processing	■	■
Vacuum coating	■	■
Lamination	■	■
Loadlock chambers	■	■
Mechanical engineering	■	■
Automotive industry	■	■
Metallurgy/Furnaces	■	■
Crystal pulling	■	■
Degassing	■	■
Electrical engineering	■	■
Energy technology	■	■
Welding technology	■	■
Lamps/Tubes manufacture	■	■
Cooling and air conditioning	■	■
Chemistry/Pharmaceuticals	■	■
Chemical research laboratories	■	■
Vacuum drying	■	■
Freeze drying systems	■	■
Environmental engineering	■	■
Packaging	■	■
Medical technology	■	■
Analytical engineering	■	■
Research and development	■	■
Space simulation	■	■
Backing pump for HV-Systems	■	■

Products

Screw Vacuum Pumps

SCREWLINE SP 250 to SCREWLINE SP 630 (F)

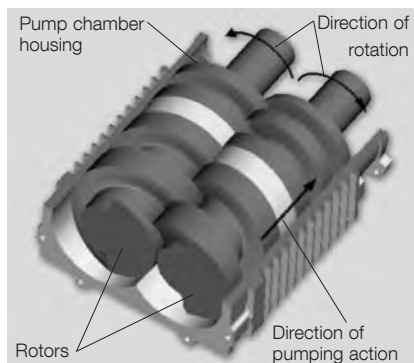


Screw Vacuum Pump SCREWLINE SP 630

The Screw Vacuum Pumps SCREWLINE SP were developed in view of the special requirements of industrial applications. The innovative design allows these pumps to be used whenever reliable, compact and low maintenance vacuum solutions are required.

Principle of Operation

Screw Vacuum Pumps are dry compressing backing pumps, the operation of which is based on the screw principle. The pumping chamber of the pump is formed by two synchronised positive displacement rotors and the housing enclosing these. Since the rotors rotate in opposite directions, the chambers move steadily from the intake to the exhaust side of the pumps thereby resulting in a smooth pumping action (see figure below). Since with a single Screw Vacuum Pump rotor pair a multistage compression process is implemented, the component count in the pumping path is very low. In this way maintenance and servicing work is much simplified.



Principle of operation of the SCREWLINE Line

Properties

The direct pumping path without multiple deflections for the medium make the Screw Vacuum Pumps highly insensitive to foreign materials. This ensures a high uptime in industrial processes.

The two non-contacting shaft-seals are practically wear-free, which allows for very long maintenance intervals. Shaft seal purge is usually required in industrial applications. SCREWLINE SP pumps are equipped with a purge gas supply unit.

Because of the cantilevered bearing arrangement for the Screw Vacuum Pump rotors, a potential source of failure (i.e. a bearing on the intake side) is entirely eliminated. On the one hand, no lubricants from the bearings can enter into the vacuum process, and the other hand also an impairment of the bearing by aggressive process media can be excluded.

A further benefit of the cantilevered bearing arrangement is the easy

accessibility of the pump chamber. This innovative design feature allows the removal of the pump housing without time-consuming and costly disassembly of the bearings. Thus on-site cleaning of all surfaces in contact with the medium is possible. In particular, if the processes involved considerable amounts of contaminants this is a significant advantage which ensures a long uptime.

The low exhaust temperature is an important advantage of the Screw Vacuum Pumps. Owing to the design of the screw rotors, a temperature of maximum 100 °C (212 °F) is attained inside the pump. Thus deposits of many substances are avoided which react at high temperatures. This makes the pump unique and many customers, above all from the field of coating, value this highly. Should deposits form in spite of this, then the easy to disassemble housing facilitates rapid cleaning.

Besides the integrated oil cooling arrangement for the rotors, the Screw Vacuum Pumps are air-cooled from the outside. Here rotor and housings are thermally linked via the oil cooler. Thus, Screw Vacuum Pumps adapt themselves ideally to the ambient conditions under changing operating situations.



Oil/water cooling unit SP 630 F

A water-cooled version is offered as Screw Vacuum Pumps SP 630 F. This product version is intended for operation in air-conditioned rooms.

The Screw Pumps portfolio is completed through ATEX-certified variants.

Moreover, the Screw Vacuum Pumps portfolio also includes pump versions suited for pumping pure oxygen (O₂).

Maintenance and Monitoring

During the development of the Screw Vacuum Pumps, special emphasis was placed on a particularly simple maintenance concept. This has been implemented through the cantilevered bearing arrangement, with all maintenance components and controls having been located on the so-called service side for easy accessibility. Thus, the space requirement which needs to be taken into account during planning has been optimized. The lower space requirement gives the user more flexibility during installation of the pump.

The monitoring system SP-GUARD was developed especially for constant real-time monitoring of the operational status of the Screw Vacuum Pumps. The operating parameters are con-

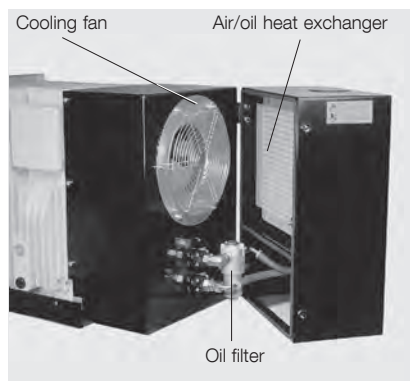
stantly acquired and processed. This enables the user to introduce preventive actions early enough so as to ensure trouble-free operation of his Screw Vacuum Pumps. The key current operating parameters can be read off from a local display. Moreover, connection to a PLC and remote monitoring is possible. Maintenance of the Screw Vacuum Pumps will generally be limited to a regular visual inspection of the pump and the annual change of gear oil and oil filter. The oil fill ports as well as the filters are readily accessible and can be easily exchanged.

With the aid of a flushing kit (optional) it is possible to clean the pump chamber, while the pump is operating without process. Deposits due to the process can thus be removed effectively and quickly without the need of having to disassemble the housing.

Also, cleaning of the air/oil heat exchanger can be done simply on-site by blowing out the heat exchanger with compressed air.

Accessories

Screw Vacuum Pumps offer to the user a high degree of flexibility. Inlet and exhaust connections are made through universal flanges, respectively clamped flanges, permit simple integration within the system. Through the accessories which are available, the pump can be optimally adapted to the individual requirements of differing applications.



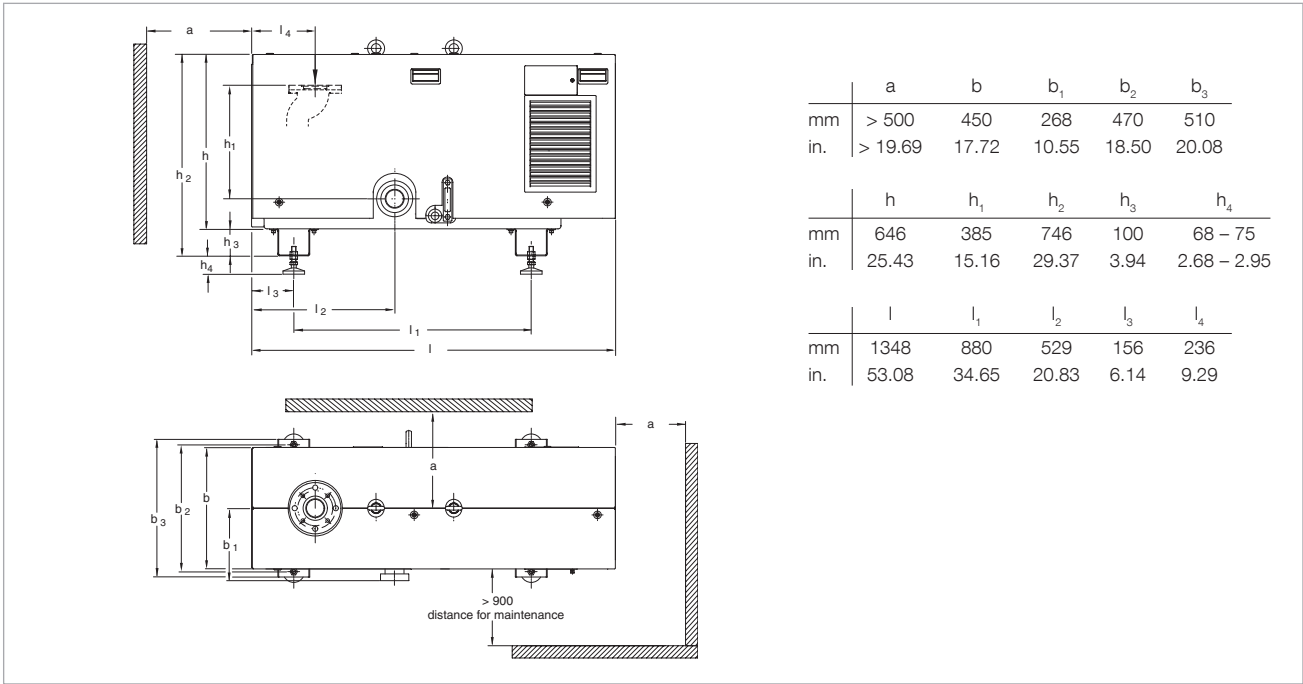
Oil/water cooling unit SP 630

Advantages to the User

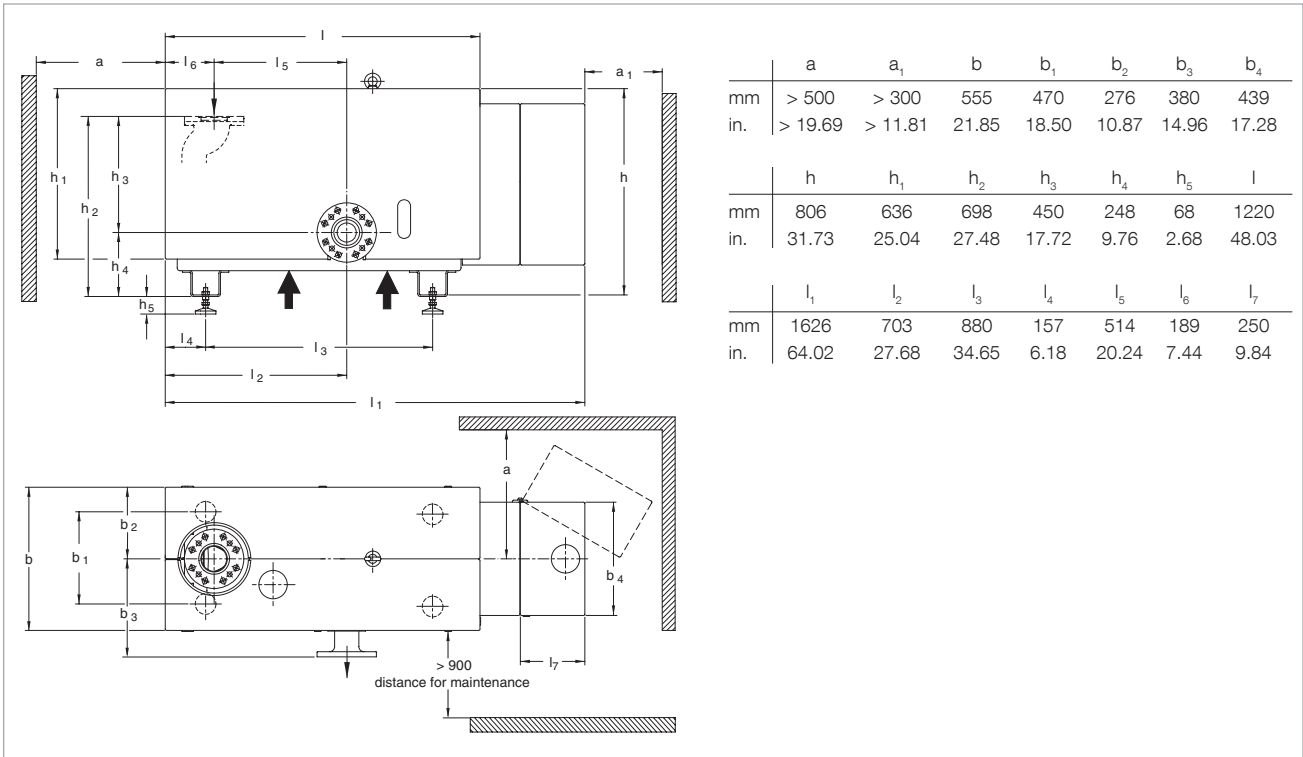
- Utmost reliability
- Protection of the pump through monitoring vital parameters by means of the SP-GUARD
- Minimum downtimes owing to rapid cleaning of the pump chamber (in less than one hour)
- Avoidance of deposits through low internal temperatures
- Minimum operating costs
- The only directly air cooled screw vacuum pump on the market. No need for cooling water
- No oil in the pump chamber. Thus no need for disposing of contaminated oil
- Gear oil change only every two years
- Utmost flexibility
- Direct adaptation of RUVAC pumps for increased pumping speed up to approximately 7000 m³/h
- Multi-flange for all commonly used pipe connections
- Flushing kit for constant cleaning of the pump chamber
- Silencing hoods for a further reduction of noise emissions

Typical Applications

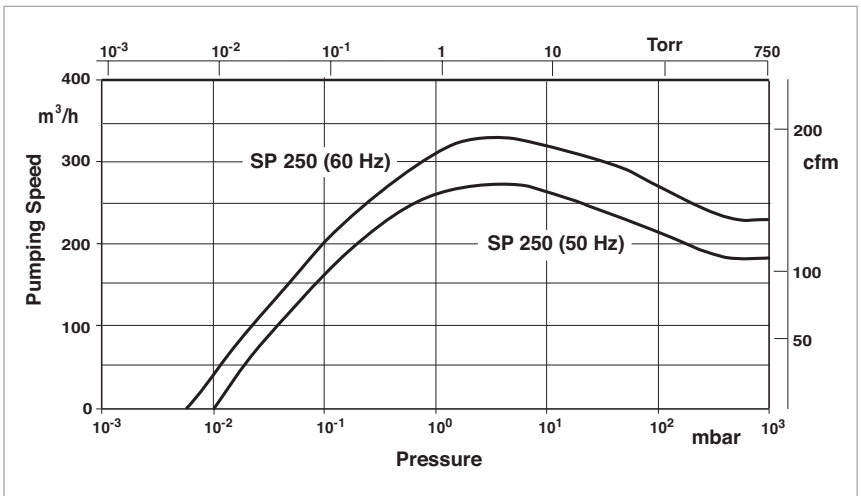
- Industrial furnaces
- Coating technology
- Load lock chambers
- Metallurgical systems
- Food processing
- Drying processes
- Degassing
- Research and development
- Lamps and tubes manufacture
- Automotive industry
- Packaging industry
- Space simulation
- Electrical engineering
- Energy research



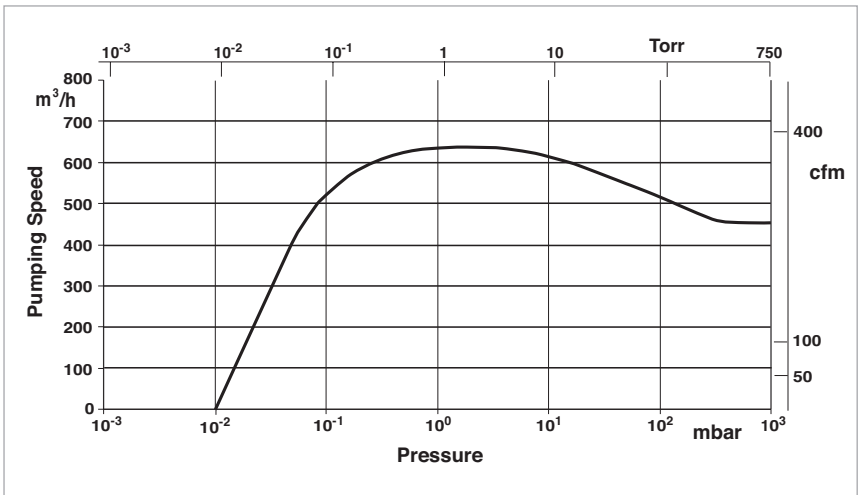
Dimensional drawing for the SCREWLINE SP 250



Dimensional drawing for the SCREWLINE SP 630



Effective pumping speed of the SCREWLINE SP 250 for air, without gas ballast (50/60 Hz)



Effective pumping speed of the SCREWLINE SP 630 for air, without gas ballast

Technical Data

SCREWLINE SP 250

		50 Hz	60 Hz
Effective pumping speed	m ³ /h (cfm)	270 (157)	330 (194)
Ultimate pressure, total	mbar (Torr)	≤ 0.01 (≤ 0.0075)	≤ 0.005 (≤ 0.0038)
Permissible intake pressure, max.	mbar (Torr)	1030 (773)	
Maximum exhaust pressure with reference to the ambient pressure		$p_{ex} = p_{amb}$ + 200 mbar (150 Torr) - 50 mbar (37 Torr)	
Permissible ambient temperature	°C (°F)	+10 to +40 (+50 to +104)	
Water vapour tolerance (with gas ballast)	mbar (Torr)	60 (45)	75 (56)
Water vapour capacity (with gas ballast)	g/h (gal/h)	10 (2.7)	18 (4.9)
Installation location		up to 3000 metres (9.800 feet) (above sea level)	
Cooling		Air	
Power supply at operating voltage	$\Delta\Delta$ Δ	32.0 A / 200 V (cos phi 0.88) 16.0 A / 400 V (cos phi 0.88)	31.5 A / 210 V (cos phi 0.88) 15.5 A / 460 V (cos phi 0.88)
Nominal power	kW (HP)	7.3 (9.9)	9.2 (12.5)
Power consumption at ultimate pressure	kW (HP)	5.9 (8.0) at 3-ph. 200 V / 400 V	7.2 (9.8) at 3-ph. 200 V / 400 V
Energy efficiency class		IE 2	
Motor rotational speed	rpm	2910	3490
Type of protection	IP	55	
Thermal protection class		F	
Lubricant filling (LVO 210)	l	7	
Intake flange, standard Clamping flange Bolt flange Bolt flange		ISO 1609-1986 (E)-63 (DN 63 ISO-K) ¹⁾ ASME B 16.5 NPS 3 class 150 EN 1092-2-PN 6 - DN 65	
Exhaust flange, standard Clamping flange		ISO 1609-1986 (E)-63 (DN 63 ISO-K)	
Exhaust flange, optional Clamping flange Bolt flange Bolt flange Bolt flange		ISO 1609-1986 (E)-63 (DN 63 ISO-K) ¹⁾ ASME B 16.5 NPS 3 class 150 EN 1092-2-PN 16 - DN 65 EN 1092-2-PN 6 - DN 65	
Materials (components in contact with the gas)		Aluminum, aluminum anodic oxidised, C steel, CrNi steel, grey cast-iron, FPM (FKM) (Viton)	
Weight, approx.	kg (lbs)	450 (992)	
Dimensions (W x D x H)	mm (in.)	1350 x 530 x 880 (53.1 x 20.9 x 34.6)	
Noise level ²⁾	dB(A)	≤ 68	≤ 72

¹⁾ This flange is required when ISO-K flanges are to be connected (Part No. 267 47)

²⁾ With connected exhaust gas line at ultimate pressure

Ordering Information

SCREWLINE SP 250

	Standard	ATEX	O ₂
	Part No.	Part No.	Part No.
Screw Vacuum Pump SP 250 (50/60 Hz) with purge gas unit and manual gas ballast	115 001 ¹⁾	-	-
with purge gas unit and manual gas ballast, with castors	115 006 ¹⁾	-	-
with purge gas unit and electromagnetic gas ballast, II 3-G Ex h IIC 160 °C Gc II 3-D Ex h IIIB T160 °C Dc 10°C<Ta<40°C	-	115 003 ^{1, 2)}	-
with purge gas unit and electromagnetic gas ballast, with purge vent kit and FFPM gaskets, II 2/3G Ex h IIC 160 °C Gb / Ex h nA IIC 160 °C Gc II 3/3D Ex h IIIB T160 °C Dc / Ex h tc IIIB T160 °C Dc 10°C<Ta<40°C	-	115 012V11 ¹⁾	-
with purge gas unit and electromagnetic gas ballast	-	-	115 019 ^{1), 3)}
Accessories			
Exhaust silencer	119 002	119 002	119 002
Serviceable silencer	119 003V	119 003V	119 003V
Exhaust non-return valve (DN 65 PN 6)	119 011	-	-
Solenoid gas ballast kit, 24 V ⁴⁾	119 054V	-	-
Adaptor for RUVAC 501/1001	119 022	119 022	119 022
Purge gas retrofit kit	119 031	-	-
Inlet filter adapter DN 63 ISO-K	119 019	119 019	-
Dust filter	951 68	-	-
Purge vent kit	119 061V	119 061V	119 061V
Flushing kit	119 015V02	119 015V02	119 015V02
Oil change kit	EK 110 000 820	EK 110 000 820	EK 110 000 820
Screw inspection kit	EK 110 000 821	EK 110 000 821 ⁵⁾	EK 110 000 821
Purge gas connection servicing kit	EK 110 000 834	EK 110 000 834	EK 110 000 834
Filter for gas ballast	E 110 000 980	E 110 000 980	E 110 000 980
Filter for purge gas valve unit	E 110 000 850	E 110 000 850	E 110 000 850
Absorbing felt	E 110 002 435	E 110 002 435	E 110 002 435
Silencer service kit	EK 500 003 476	EK 500 003 476	EK 500 003 476
Seal kit non-return valve SP 250	EK 110 000 828	EK 110 000 828	EK 110 000 828
Seal kit RUVAC adaptor SP 250	EK 110 000 835	EK 110 000 835	EK 110 000 835
Vibration element RUVAC adaptor SP 250	ES 110 000 2677	ES 110 000 2677	ES 110 000 2677

¹⁾ All pumps are equipped as standard with an SP-GUARD

²⁾ Only ATEX Category 3i (Directive 2014/34/EU)

³⁾ T4 with max. $p_{ex} = p_{amb} + 200 \text{ mbar}$
- 50 mbar

⁴⁾ This accessory item can only be used beginning with SN (serial number) 31000530865

⁵⁾ Only for Part No. 115 003

U)

For all enquiries and orders relating to category 1 and 2 ATEX products please exclusively use our ATEX questionnaire. You can find this questionnaire at the end of the full-line catalog together with the fax forms or on the Internet under "www.leybold.com" under Media > Downloads > Download Documents > General Documents.

Technical Data

SCREWLINE SP 630

50 Hz

60 Hz

		50 Hz	60 Hz
Effective pumping speed	m ³ /h (cfm)	630 (371)	
Ultimate pressure, total	mbar (Torr)	≤ 0.01 (≤ 0.0075)	
Permissible intake pressure, max.	mbar (Torr)	1030 (773)	
Maximum exhaust pressure with reference to the ambient pressure		$p_{ex} = p_{amb}$ + 200 mbar (150 Torr) - 50 mbar (37 Torr)	
Permissible ambient temperature	°C (°F)	+10 to +40 (+50 to +104)	
Water vapour tolerance (with gas ballast)	mbar (Torr)	40 (30)	
Water vapour capacity (with gas ballast)	g/h (gal/h)	14 (3.7)	
Installation location		up to 3000 metres (9.800 feet) (above sea level)	
Cooling		Air	
Power supply	ΔΔ	56 A / 200 V	52 A / 210 V
	Δ	28 A / 400 V	24 A / 460 V
	Y ¹⁾	16 A / 690 V	-
cos φ		0.89	0.90
Nominal power	kW (HP)	15 (20)	
Power consumption at ultimate pressure	kW (HP)	< 11 (< 15)	
Energy efficiency class		IE 2	
Motor rotational speed	rpm	2930	3530
Type of protection	IP	55	
Thermal protection class		F	
Lubricant filling (LVO 210)	l	15	
Intake flange and exhaust flange compatible with bolt flanges		EN 1092-2 - PN 6 – DN 100 EN 1092-2 - PN 16 – DN 100 ISO 1609-1986 (E)-100 (DN 100 ISO-K) ²⁾ ASME B 16.5 NPS 4 class 150	
Materials (components in contact with the gas)		Aluminum, aluminum anodic oxidised, C steel, CrNi steel, grey cast-iron, FPM (FKM) (Viton)	
Weight, approx.	kg (lbs)	530 (1166)	
Dimensions (W x D x H)	mm (in.)	1630 x 660 x 880 (64 x 26 x 35)	
Noise level ²⁾	dB(A)	≤ 72	

¹⁾ 690 V upon request

²⁾ This flange is required when ISO-K flanges are to be connected (Part No. 267 50)

³⁾ With connected exhaust gas line at ultimate pressure

Additional Technical Data

SCREWLINE SP 630 F

50 Hz

60 Hz

		50 Hz	60 Hz
Cooling	m ³ /h	Water	
Water connection	G	1/2" ISO 228-1	
Water temperature	°C (°F)	+5 to +35 (+41 to +95)	
Minimum water feed pressure	bar (psi, gauge)	2 (15)	
Nominal flow at a water feed temperature of 25° C (77 °F)	l/min (gal/min)	12 (3)	

¹⁾ With connected exhaust gas line at ultimate pressure

Ordering Information
SCREWLINE SP 630 Standard / SP 630 F Standard

	50 Hz	60 Hz
	Part No.	Part No.
Screw Vacuum Pump SP 630 air cooled, with purge gas unit and manual gas ballast	117 007	117 008
Screw Vacuum Pump SP 630 F water cooled, with purge gas unit and electromagnetic gas ballast, with adapter for RUVAC 2001	117 105	117 106
water cooled, with purge gas unit and manual gas ballast	117 113	117 114
with purge gas unit and manual gas ballast, with phase watchdog	—	117 114V02

All pumps are equipped as standard with an SP-GUARD

Ordering Information
SCREWLINE SP 630 ATEX / SP 630 F ATEX

	50 Hz	60 Hz
	Part No.	Part No.
Screw Vacuum Pump SP 630 air cooled, with purge gas unit and manual gas ballast, II 3/-G Ex h IIC 160 °C Gc II 3/-D Ex h IIIB T160 °C Dc 10°C<Ta<40°C	117 017	117 018
water cooled, with purge gas unit and electromagnetic gas ballast, II 3/-G Ex h IIC 160 °C Gc II 3/-D Ex h IIIB T160 °C Dc 10°C<Ta<40°C	117 115	117 116
Screw Vacuum Pump SP 630 F water cooled, with purge gas unit and electromagnetic gas ballast, with adapter for RUVAC 2001, II 2/3G Ex h IIC 160 °C Gb / Ex h nA IIC 160 °C Gc II 3/3D Ex h IIIB T160 °C Dc / Ex h tc IIIB T160 °C Dc 10°C<Ta<40°C	117 111V11	117 112V11

All pumps are equipped as standard with an SP-GUARD

For all enquiries and orders relating to category 1 and 2 ATEX products please exclusively use our ATEX questionnaire. You can find this questionnaire at the end of the full-line catalog together with the fax forms or on the Internet under "www.leybold.com" under Media > Downloads > Download Documents > General Documents.

Ordering Information
SP 630 O₂

	50 Hz	60 Hz
	Part No.	Part No.
Screw Vacuum Pump SP 630 air cooled, with purge gas unit and electromagnetic gas ballast	117 039	117 040
water cooled, with purge gas unit and electromagnetic gas ballast	117 139	117 140

All pumps are equipped as standard with an SP-GUARD

Ordering Information
Accessories

SCREWLINE SP 630 Standard / SP 630 F Standard
50 Hz / 60 Hz

	Part No.
Exhaust silencer	119 001
Serviceable silencer	119 004V
Roots pump adapter for RUVAC 1001 ¹⁾ for RUVAC 2001 for RUVAC WH(U) 2500 ¹⁾ for RUVAC WH 4400 ¹⁾	500 003 173 119 021 155222V 119 024V
Dust filter ²⁾ Elbow 90° (DN 100 ISO-K) Clamping screws for DN 63-250 ISO-K Centering ring for DN 100 ISO-K	951 72 887 26 267 01 268 06
Purge vent Kit	119 060V
Flushing Kit	119 015V02
Inlet filter adapter DN 100 ISO-K	119 020
Solenoid gas ballast kit, 24 V from serial number 31000530865	119 054V
Non-return valve (DN 100 PN 6)	119 010
Purge gas retrofit kit ³⁾	119 030
Castor kit for pump system (Set 4 pieces)	504408V901
Maintenance kit, level 1 (oil change kit) up to serial number 31000197911 from serial number 31000197911	EK 110 000 792 EK 110 000 832
Maintenance kit, level 2 (rotor inspection kit)	EK 110 000 793
Purge gas connection servicing kit	EK 110 000 827
Filter for gas ballast	E 110 000 980
Filter for purge gas valve unit	E 110 000 850
Water filter maintenance kit for SP 630 F	EK 110 000 813
Silencer service kit	EK 500 003 475
Seal kit for SP 630 check valve	EK 110 000 815

¹⁾ Must mount to adapter Part No. 119 021

²⁾ For information on the dust filter please refer to the Catalog Part "Oil sealed Vacuum Pumps", Section "SOGEVAC", Chapter "Accessories"

³⁾ Not for ATEX pumps and pumps which are equipped with a purge gas unit

Products

Dry Screw Vacuum Pumps VARODRY



The new VARODRY vacuum pump series is designed and produced by Leybold, in Germany specifically for industrial processes.

Being 100% air-cooled and dry, the VARODRY only consumes electricity, with no extra costs for cooling water supply or oil / oil-filter exchange and disposal. Its low power consumption will save significant operation costs.

With VARODRY vacuum can be easy, efficient, reliable and dry.

Advantages to the User

- Effortless installation - just connect to power and process
- Smoothless control - via VSD or regulation valves
- Seamless integration/retrofit - air cooled and easy accessibility
- Minimized total cost of ownership
 - Low upfront investment
 - Best-in-class power consumption
 - Limited maintenance expenses
 - No costs for cooling water and compressed air
 - Competitive at all pressures and over the complete pump life cycle
 - Excellent vapor pumping capacity
 - Quiet, low pitch sound level
- Optimized system uptime
 - Robust pump design, made for industrial applications
 - Based on proven technology and an innovative belt drive
 - Superior performance, even in humid and dusty applications
 - Long-term operation with extended service intervals
- 100 % clean vacuum
 - Completely oil-free
 - Free of any oil emissions or oil leakages

Typical Applications

The VARODRY is optimized for the challenges found in many industrial applications:

- Repeated and fast cycling:
 - The VARODRY offers a very quick pump down. The pump tolerates atmospheric pressure shocks and repeated evacuation cycles.
- Dust / particle handling:
 - The rotor screw principle and anodization offers the best performance to handle fine, dry dust particles. In the case of large dust amounts, a wide filter portfolio is available.
- Vapor handling:
 - Due to its optimized temperature profile and the built-in gas-ballast, the VARODRY offers a high vapor tolerance, avoiding internal condensation.
- Reactive gas handling:
 - Often vapors (e.g. hydrocarbons) tend to react inside hot dry pumps and built-up internal coatings which can cause pump seizing. The internal temperature profile virtually eliminates this risk.

- Liquid handling:
 - The VARODRY can handle droplets or even liquid slugs as the liquids can flow freely out of the pump.

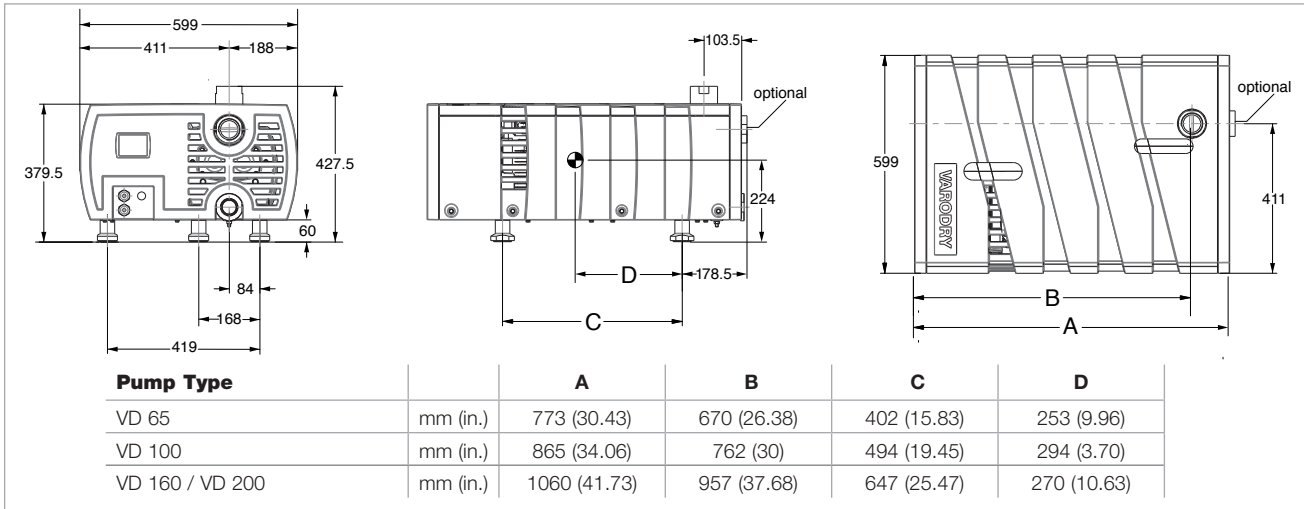
Technical details at a glance

- Intake connection
 - Horizontal or vertical orientation
 - G-thread as standard
 - ISO-KF, ISO-K or NPT thread as accessory
- Exhaust connection
 - G-thread as standard
 - ISO-KF or NPT thread as accessory
 - At lowest position, enabling condensate drainage
- Built-in exhaust silencer
 - Lowest noise emission
 - Drainable design
- Anodized variable pitch rotor
 - Benchmark for efficiency and robustness
 - Lowest power demand in its class
- Shaft seal / bearing protection
 - "Self-cleaning" seal design
 - Optional purge-gas system available
 - No need for seal purge in most industrial applications
- Gas-ballast
 - High vapor tolerance
 - Supports dust handling
- Air-cooled design
 - Low operation cost
 - Simple integration into mobile systems

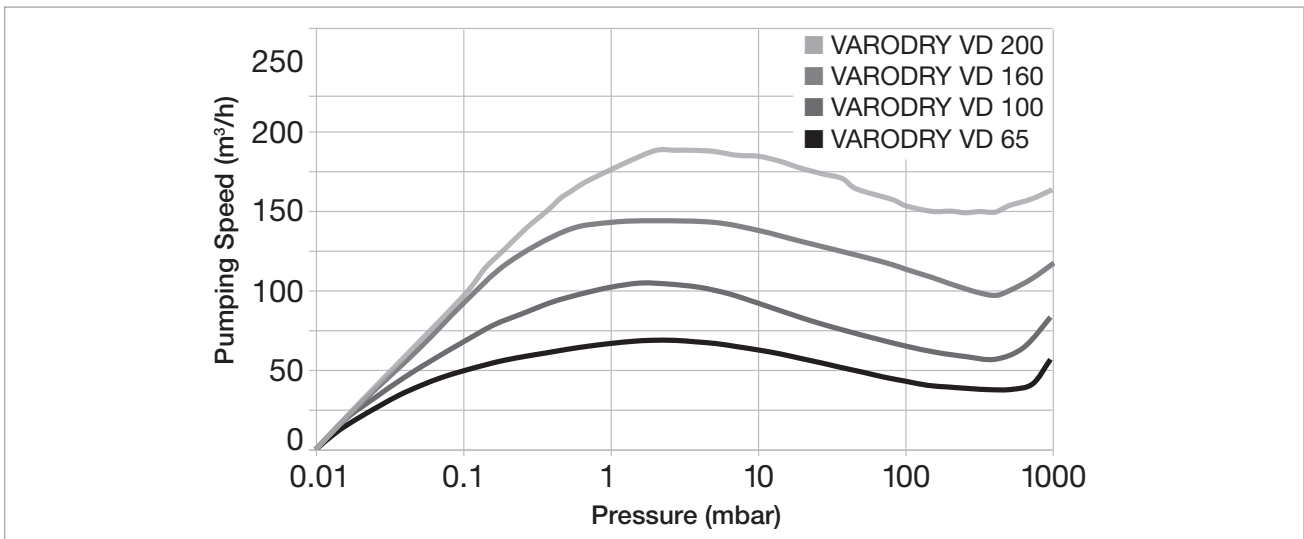
- Innovative belt-drive
 - Provides synchronization and transmission
 - Proven, long-life technology
 - Easy to maintain via the partly removable enclosure
 - No need for gear lubrication
- Innovative bearing technology
 - Most robust hybrid bearing design
 - Life-time grease lubricated
 - No need for oil exchange
- Enclosure
 - Integrated noise dampening
 - Can be partly removed for convenient pump access
 - Clean and sleek design

Maintenance and Service

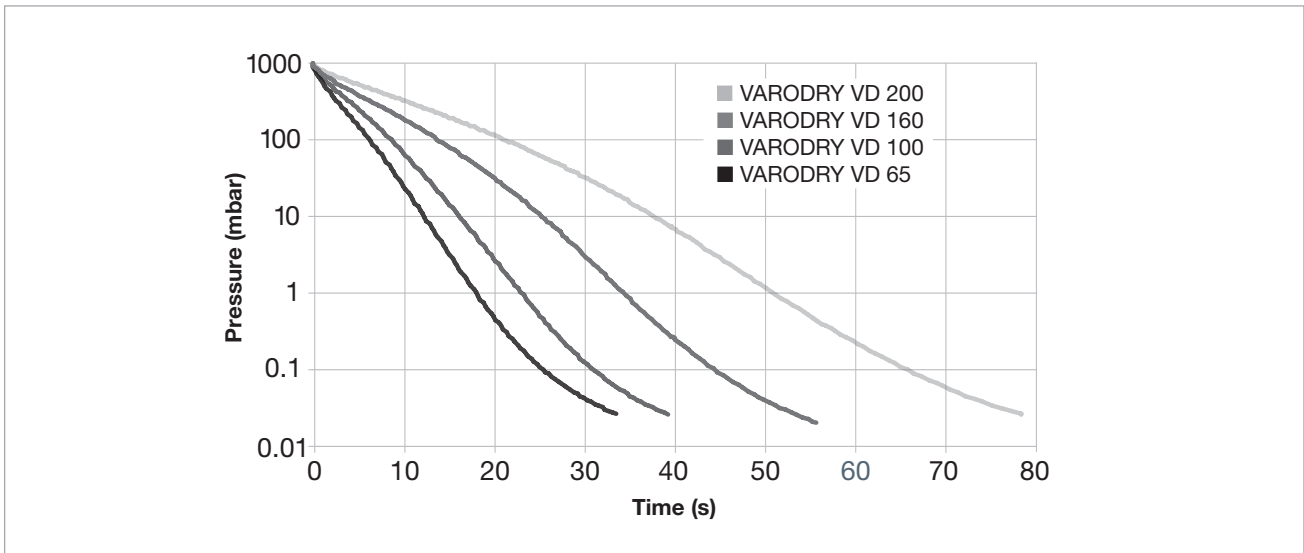
- Minimum maintenance and service requirements:
 - With only two wearing parts (belt and bearings), only minimal efforts are required to keep your pump running at peak performance. At the same moment, the uptime of your facility will be strongly improved.
- User maintenance:
 - The belt can easily be exchanged by the user in less than 30 minutes. The partly removable enclosure makes this really convenient. The belt exchange interval depends on the individual application, typically it is one year. Belt exchange kits and maintenance tools are available.
- Leybold Service:
 - The bearings can be on-site exchanged by trained Service technicians. Typical the bearing lifetime is 3 years. Complete pump-overhauls can be done in one of the many Leybold Global Service hubs. To ensure the highest factory uptime, Leybold offers a fast "pump exchange". Our back-up pools offer flat pump exchange rates, to keep your production running at all times.



Dimensional drawing for the VARODRY Pumps



Pumping speed curves of the VARODRY VD 65 and VARODRY VD 100



Pump-down time of a 100 l chamber

Technical Data
VARODRY

		VD 65	VD 100	VD 160	VD 200
Max. pumping speed	m ³ /h	65	100	140	180
Ultimate pressure		< 0.01 < 0.1			
without gas ballast	mbar				
with standard gas ballast	mbar				
Max. permissible inlet pressure	mbar	1050			
Max. permissible outlet pressure (rel. to ambient)	mbar	200			
Water vapor tolerance		20 60			
with standard gas ballast	mbar				
with big gas ballast	mbar				
Water vapor capacity		0.8 1.2 1.9 2.4 2 3.1 5.1 6.7			
with standard gas ballast	kg/h				
with big gas ballast	kg/h				
Noise level (with built-in silencer) at ultimate pressure (50 / 60 Hz)*	dB(A)	64 / 67		70 / 72	
Permissible ambient temperature	°C	0 to +40			
Mains voltage		50 Hz, 200/400 V ±10%, 3 ph or 60 Hz, 230/460 V ±10%, 3 ph			
Rated motor power	kW	1.5	2.2	3.0	4.0
Protection class	IP	55			
Intake connection		G 2"			
Outlet connection		G 1 1/2"			
Weight, approx.	kg	90	100	130	130

All listed data is preliminary.

*According to DIN EN ISO 2151

Ordering Information
VARODRY

	VD 65	VD 100	VD 160	VD 200
	Part No.	Part No.	Part No.	Part No.
Dry Screw Vacuum Pumps VARODRY				
50/Hz	111 065 V10	111 100 V10	111 160 V10	111 200 V10
50/Hz, with purge gas module	111 065 V15	111 100 V15	111 160 V15	111 200 V15
60/Hz	111 065 V11	111 100 V11	111 160 V11	111 200 V11
60/Hz, with purge gas module	111 065 V16	111 100 V16	111 160 V16	111 200 V16

Accessories

Inlet adapter DN40 ISO-KF, 20 mm	111005A20
Inlet adapter G 1 1/4", 10 mm	111005A21
Inlet adapter NPT 1 1/4 -11.5, 10 mm	111005A22
Inlet adapter NPT 2-11.5, 35 mm	111005A23
Inlet adapter DN63 ISO-K, 27 mm	111005A24
Exhaust adapter DN40 ISO-KF, 20 mm	111005A30
Exhaust adapter NPT 1 1/2-11.5, 30 mm	111005A31
Inlet non return valve (for inlet pressures > 5 mbar) G 2"	111005A15
Casters	111005A50

Products

Dry Vacuum Claw Pumps CLAWVAC CP 65 to CP 300 Over-Pressure Claw Pumps CLAWVAC OP 150 to OP 300



Claw vacuum pumps CLAWVAC CP 150 and CP 300

In the CLAWVAC, a claw rotor pair rotates completely contactless and wearfree in the cylinder. The CLAWVAC differentiates itself from conventional claw pumps mainly through its material selection. Stainless steel rotors as well as the corrosion-resistant coated vacuum chamber also prove themselves under very harsh process conditions and contribute to a reliable operation.

The systems offer great advantages for a wide range of rough vacuum and over-pressure applications.

The pumps design enables extreme robustness, especially for challenging applications which include handling of particle or vapor contaminated gases.

Advantage to the User

- **Oil free compression room**
 - No oil migration into process
 - No oil contamination
- **Air cooled**
 - Extremely efficient air cooling for lowest operation temperature
 - No demand for expensive cooling water
 - Performance independent from water temperature
- **Flexible**
 - Variable speed drive (VSD) compatible
 - Compact design with small footprint
 - Cool running
- **Environment friendly**
 - Market leading low noise level
 - Lowest power consumption
 - Up to 50% energy saving by operation with VSD
- **Safe operation**
 - Continuous operation at any inlet pressure without overheating
 - Most robust bearing and seal design

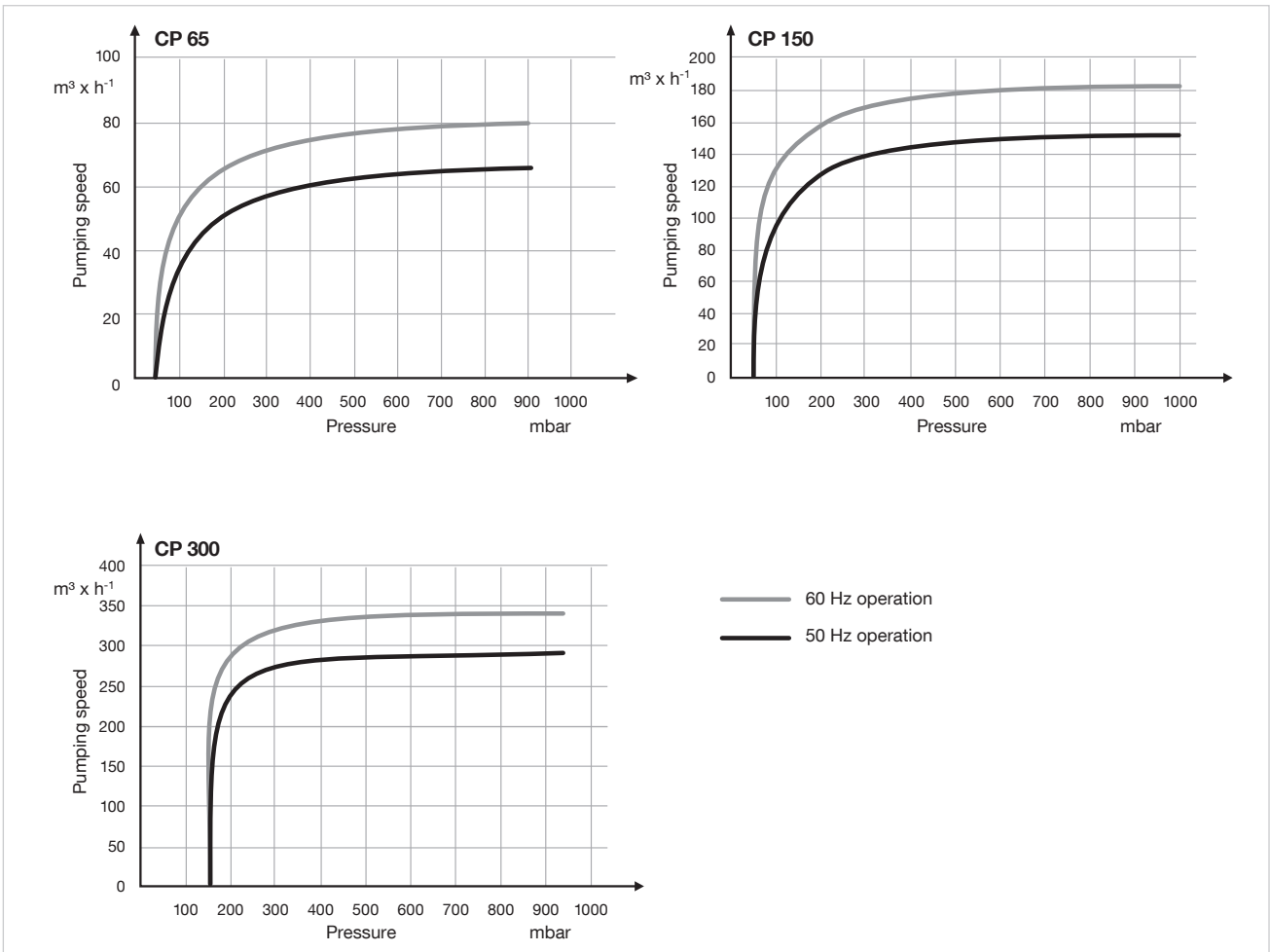
Typical Applications

- **Food Processing**
 - Bottling
 - Dairy products (e.g. milking)
 - Vacuum conveying (e.g. in slaughterhouse)
 - Beverage production
- **Food Packaging**
 - Thermoforming of foil container
 - Tray sealing
 - Modified Atmosphere Packaging (MAP)
- **Woodworking**
 - Holding & lifting
 - CNC router
 - Drying & impregnation
- **Material Transport & Holding**
 - Print & paper (press & post-press)
 - Vacuum conveying
 - Vacuum clamping
- **Degassing**
 - Li-battery slurry
 - Ceramics & bricks
- **Thermoforming**
 - Deep drawing of bath tubs

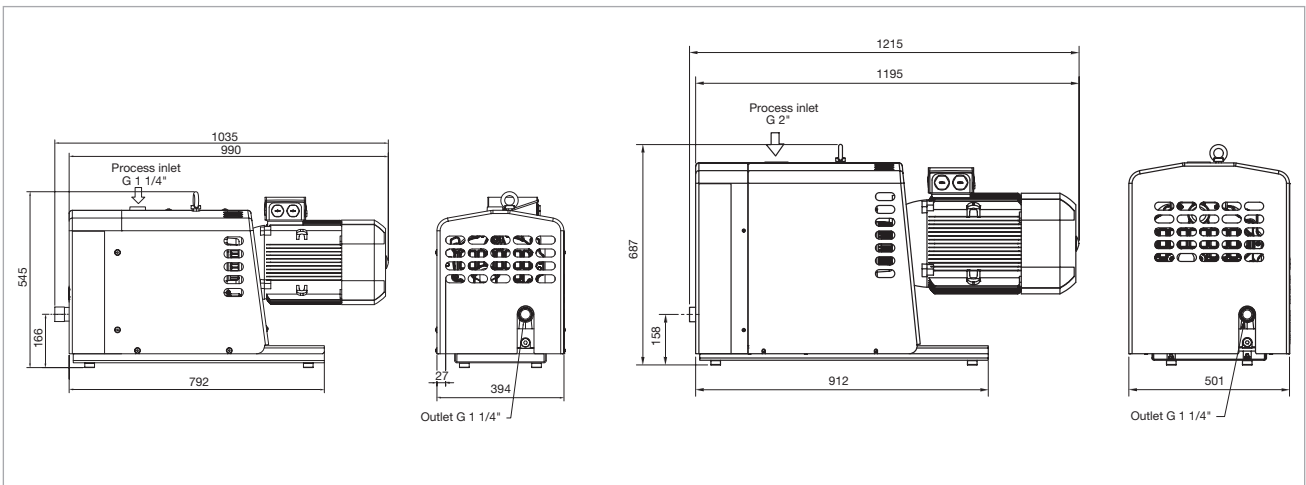
- **Plastic Industry**
 - Composite manufacturing
 - Granulate conveying
 - Extruder degassing (e.g. PP, PE, PS)
 - Gluing
- **Environmental Engineering**
 - Sewage degassing
 - Biogas production
 - Soil remediation



Corrosion resistant stainless steel claws and coated pumping chamber



Pumping speed characteristics CP 65, CP 150 and CP 300 right



Dimensional drawing – CP 65 and CP / OP 150 left, CP / OP 300 right (dimensions in mm)

Technical Data

CLAWVAC

			CP 65	CP 150	CP 300
Pumping speed	50 Hz	m ³ /h	65	150	300
	60 Hz	m ³ /h	79	184	347
Ultimate vacuum	mbar / Torr		50 / 37.5	50 / 37.5	140 / 105
Continuous operation range	mbar / Torr		50 – 1000 / 37.5 – 750	50 – 1000 / 37.5 – 750	140 – 1000 / 105 – 750
Permissible ambient temperature range	°C / °F		0 – 40 / 32 – 104		
Connections			Inlet: G 1 1/4" or NPT Outlet: G 1 1/4" or NPT	Inlet: G 1 1/4" or NPT Outlet: G 1 1/4" or NPT	Inlet: G 2" or NPT Outlet: G 1 1/4" or NPT
Motor size	50 Hz	kW	1.8	4.0	6.2
	60 Hz	kW	2.2	3.7	7.5
Operation range	Hz		20 – 60		
Noise level (50 Hz / 60 Hz)	dB(A)		66 / 77	75 / 80	77 / 84
Weight	kg		120	160	252
Motor protection class	IP		55		

Ordering Information

CLAWVAC

	CP 65	CP 150	CP 300
	Part. No.	Part. No.	Part. No.
230 V 50 Hz 3Ph	178065V01	178150V01	178300V01
380 V 60 Hz 3Ph	178065V02	178150V02	178300V02
400 V 50 Hz 3Ph	178065V03	178150V03	178300V03
575 V 60 Hz 3Ph	178065V04	178150V04	178300V04
200 V 60 Hz 3Ph	178065V05	178150V05	178300V05
460 V 60 Hz 3Ph	178065V06	178150V06	178300V06
230/460 V 60 Hz 3Ph	178065V07	178150V07	178300V07
200 V 50 Hz 3Ph	178065V08	178150V08	178300V08
230 V 60 Hz 3Ph	178065V09	178150V09	178300V09
500 V 50 Hz 3Ph	178065V10	178150V10	178300V10

Technical Data
CLAWVAC

			OP 150	OP 300
Max. volume flow	50 Hz	l/s	30.2	66
	60 Hz	l/s	40	82
Max. over-pressure	bar(g) / psi		2.5 / 36	
Permissible ambient temperature range	°C / °F		0 – 40 / 32 – 104	
Connections			Inlet: G 1 1/4" or NPT Outlet: G 1 1/4" or NPT	Inlet: G 2" or NPT Outlet: G 1 1/4" or NPT
Motor size	50 Hz / 60 Hz	kW	14	6.2
Operation range	Hz		20 – 60	
Noise level (50 Hz / 60 Hz)	dB(A)		75 / 80	77 / 82
Weight	kg		160	252
Motor protection class	IP		55	

Ordering Information
CLAWVAC

	OP 150	OP 300
	Part. No.	Part. No.
230 V 50 Hz 3Ph	178150P01	178300P01
380 V 60 Hz 3Ph	178150P02	178300P02
400 V 50 Hz 3Ph	178150P03	178300P03
575 V 60 Hz 3Ph	178150P04	178300P04
200 V 60 Hz 3Ph	178150P05	178300P05
460 V 60 Hz 3Ph	178150P06	178300P06
230/460 V 60 Hz 3Ph	178150P07	178300P07
200 V 50 Hz 3Ph	178150P08	178300P08
230 V 60 Hz 3Ph	178150P09	178300P09
500 V 50 Hz 3Ph	178150P10	178300P10

Sales and Service

Germany

Leybold GmbH
Bonner Strasse 498
D-50968 Cologne
T: +49-(0)221-347 1234
F: +49-(0)221-347 31234
sales@leybold.com
www.leybold.com

Leybold GmbH
Sales Area North
Branch Office Berlin
Industriestrasse 10b
D-12099 Berlin
T: +49-(0)30-435 609 0
F: +49-(0)30-435 609 10
sales.bn@leybold.com

Leybold GmbH
Sales Office South
Branch Office Munich
Karl-Hammerschmidt-Strasse 34
D-85609 Aschheim-Dornach
T: +49-(0)89-357 33 9-10
F: +49-(0)89-357 33 9-33
sales.mn@leybold.com
service.mn@leybold.com

Leybold Dresden GmbH
Service Competence Center
Zur Wetterwarte 50, Haus 304
D-01109 Dresden
Service:
T: +49-(0)351-88 55 00
F: +49-(0)351-88 55 041
info.dr@leybold.com

Europe

Belgium

Leybold Nederland B.V.
Belgisch bijkantoor
Leuvensesteenweg 542-9A
B-1930 Zaventem
Sales:
T: +32-2-711 00 83
F: +32-2-720 83 38
sales.zv@leybold.com
Service:
T: +32-2-711 00 82
F: +32-2-720 83 38
service.zv@leybold.com

France

Leybold France S.A.S.
Parc du Technopolis, Bâtiment Beta
3, Avenue du Canada
F-91940 Les Ulis cedex
Sales and Service:
T: +33-1-69 82 48 00
F: +33-1-69 07 57 38
info.ctb@leybold.com
sales.ctb@leybold.com

Leybold France S.A.S.
Valence Factory
640, Rue A. Bergès
B.P. 107
F-26501 Bourg-lès-Valence Cedex
T: +33-4-75 82 33 00
F: +33-4-75 82 92 69
marketing.vc@leybold.com

Great Britain

Leybold UK LTD.
Unit 9
Silverglade Business Park
Leatherhead Road
Chessington
Surrey (London)
KT9 2QL
Sales:
T: +44-13-7273 7300
F: +44-13-7273 7301
sales.ln@leybold.com
Service:
T: +44-13-7273 7320
F: +44-13-7273 7303
service.ln@leybold.com

Italy

Leybold Italia S.r.l.
Via Filippo Brunelleschi 2
I-20093 Cologno Monzese
Sales:
T: +39-02-27 22 31
F: +39-02-27 20 96 41
sales.mi@leybold.com
Service:
T: +39-02-27 22 31
F: +39-02-27 22 32 17
service.mi@leybold.com

Netherlands

Leybold Nederland B.V.
Floridadreef 102
NL-3565 AM Utrecht
Sales and Service:
T: +31-(30) 242 63 30
F: +31-(30) 242 63 31
sales.ut@leybold.com
service.ut@leybold.com

Switzerland

Leybold Schweiz AG
Hinterbergstrasse 56
CH-6312 Steinhausen
Warehouse and shipping address:
Riedthofstrasse 214
CH-8105 Regensdorf
Sales:
T: +41-44-308 40 50
F: +41-44-302 43 73
sales.zh@leybold.com
Service:
T: +41-44-308 40 62
F: +41-44-308 40 60
service.zh@leybold.com

Spain

Leybold Hispánica, S.A.
C/. Huelva, 7
E-08940 Cornellá de Llobregat
(Barcelona)
Sales:
T: +34-93-666 43 11
F: +34-93-666 43 70
sales.ba@leybold.com
Service:
T: +34-93-666 46 11
F: +34-93-685 43 70
service.ba@leybold.com

America

USA

Leybold USA Inc.
6005 Enterprise Drive
USA-Export, PA 15632

Sales and Service:
T: +1-800-764-5369
F: +1-800-325-4353
F: +1-800-215-7782
info.ex@leybold.com

Brazil

Leybold do Brasil Ltda.
Av. Tamboré, 937, Tamboré
Distrito Industrial
CEP 06460-000 Barueri - SP
Sales und Service:
T: +55 11 3376 4604
info.ju@leybold.com

Asia

P. R. China

Leybold (Tianjin)
International Trade Co. Ltd.
Beichen Economic
Development Area (BEDA),
No. 8 Western Shuangchen Road
Tianjin 300400
China
Sales and Service:
T: +86-400 038 8989
F: +86-800 818 0033
T: +86-22-2697 4061
F: +86-22-2697 2017
sales.tj@leybold.com
service.tj@leybold.com

India

Leybold India Pvt Ltd.
T-97/2, MIDC Bhosari
Pune-411 026
Indien
Sales and Service:
T: +91-80-2783 9925
F: +91-80-2783 9926
sales.bgl@leybold.com
service.bgl@leybold.com

Japan

Leybold Japan Co., Ltd.
Headquarters
Shin-Yokohama A.K.Bldg., 4th floor
3-23-3, Shin-Yokohama
Kohoku-ku, Yokohama-shi
Kanagawa-ken 222-0033
Japan
Sales:
T: +81-45-471-3330
F: +81-45-471-3323
sales.yh@leybold.com

Leybold Japan Co., Ltd.
Tsukuba Technical Service Center
1959, Kami-yokoba
Tsukuba-shi, Ibaraki-shi 305-0854
Japan
Service:
T: +81-29 839 5480
F: +81-29 839 5485
service.iik@leybold.com

Malaysia

Leybold Malaysia
Leybold Singapore Pte Ltd.
No. 1 Jalan Hi-Tech 2/6
Kulim Hi-Tech Park
Kulim, Kedah Darul
Aman 09000
Malaysia
Sales and Service:
T: +604 4020 222
F: +604 4020 221
sales.ku@leybold.com
service.ku@leybold.com

South Korea

Leybold Korea Ltd.
3F. Jellzone 2 Tower
Jeongja-dong 159-4
Bundang-gu Sungnam-si
Gyeonggi-do
Bundang 463-384, Korea
Sales:
T: +82-31 785 1367
F: +82-31 785 1359
sales.bd@leybold.com
Service:
623-7, Upsung-Dong
Cheonan-Si
Chungcheongnam-Do
Korea 330-290
T: +82-41 589 3035
F: +82-41 588 0166
service.cn@leybold.com

Singapore

Leybold Singapore Pte Ltd.
42 Loyang Drive
Loyang Industrial Estate
Singapore 508962
Singapore
Sales and Service:
T: +65-6303 7030
F: +65-6773 0039
sales.sg@leybold.com
service.sg@leybold.com

Taiwan

Leybold Taiwan Ltd.
10F., No. 32, Chenggong 12th St.,
Zhubei City, Hsinchu County 302
Taiwan, R.O.C.
Sales and Service:
T: +886-3-500 1688
F: +886-3-550 6523
sales.hc@leybold.com
service.hc@leybold.com

Headquarter

Leybold GmbH
Bonner Strasse 498
D-50968 Cologne
T: +49-(0)221-347-0
F: +49-(0)221-347-1250
info@leybold.com



www.leybold.com